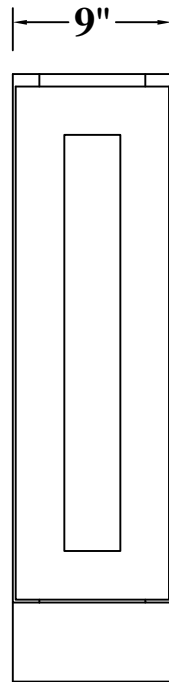
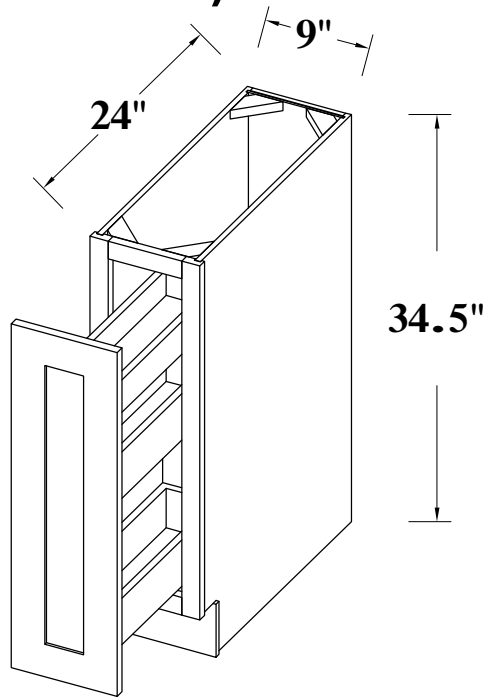


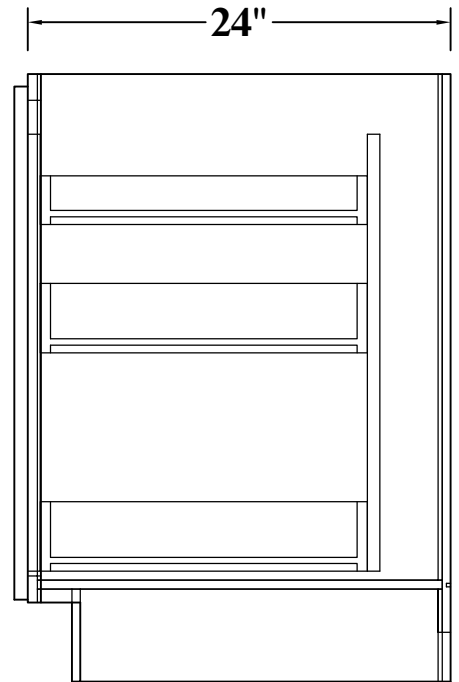
QUAVANA  
CABINET & QUARTZ



# BASE CABINET (SPICE PULL BASE CABINETS)



FRONT VIEW



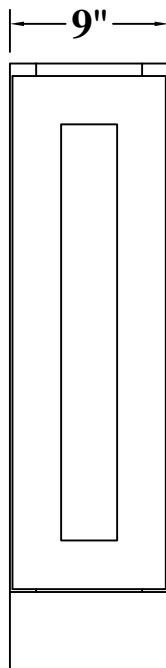
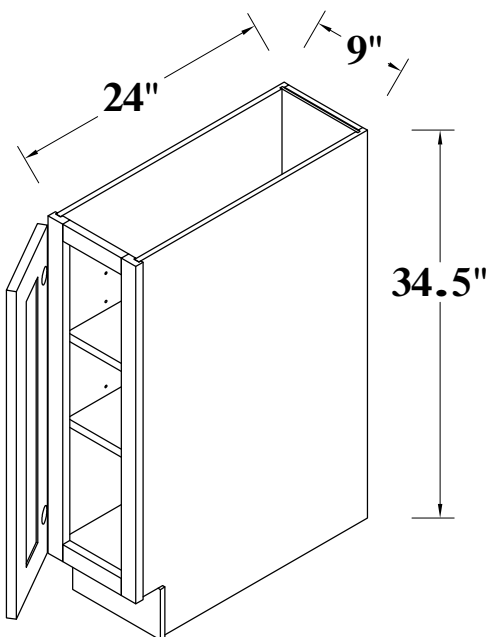
SIDE VIEW

## Features:

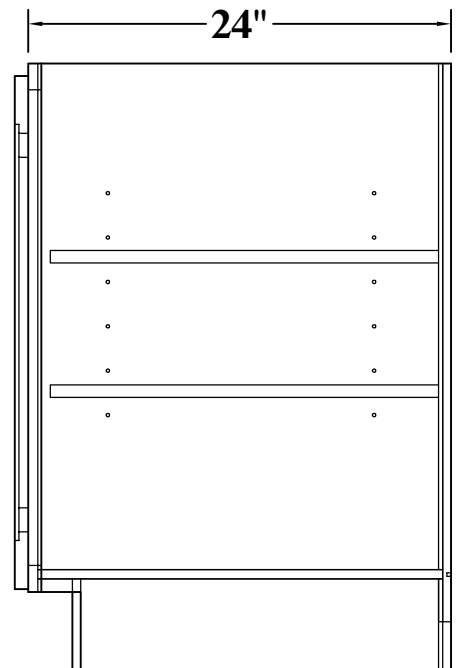
**3 Pull-Out Shelves**

ITEM CODE	DIMENSIONS	WEIGHT
BPP09	9Wx34-1/2Hx24D	

# BASE CABINET (SINGLE FULL-HEIGHT DOOR BASE)



FRONT VIEW



SIDE VIEW

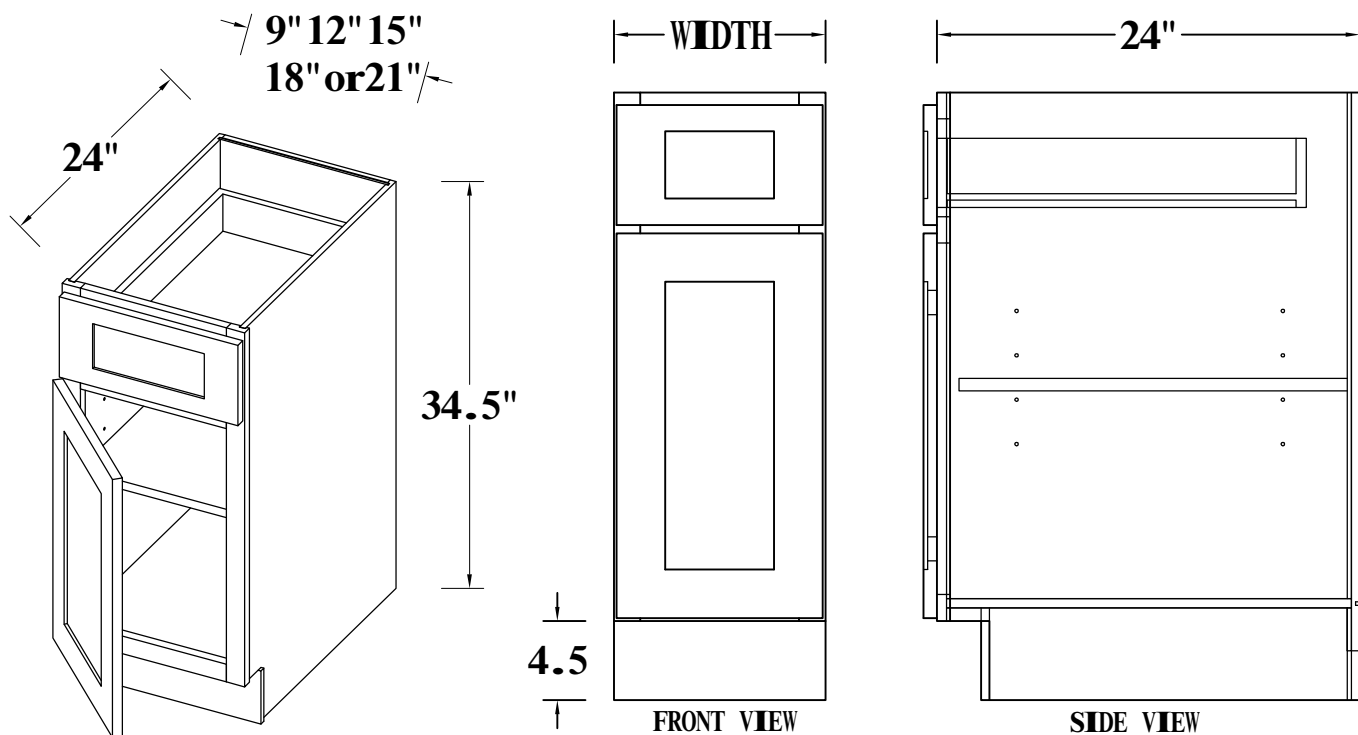
## Features:

**1 Door**

**2 Adjustable Shelves**

ITEM CODE	DIMENSIONS	WEIGHT
B09FHD	9Wx34-1/2Hx24D	

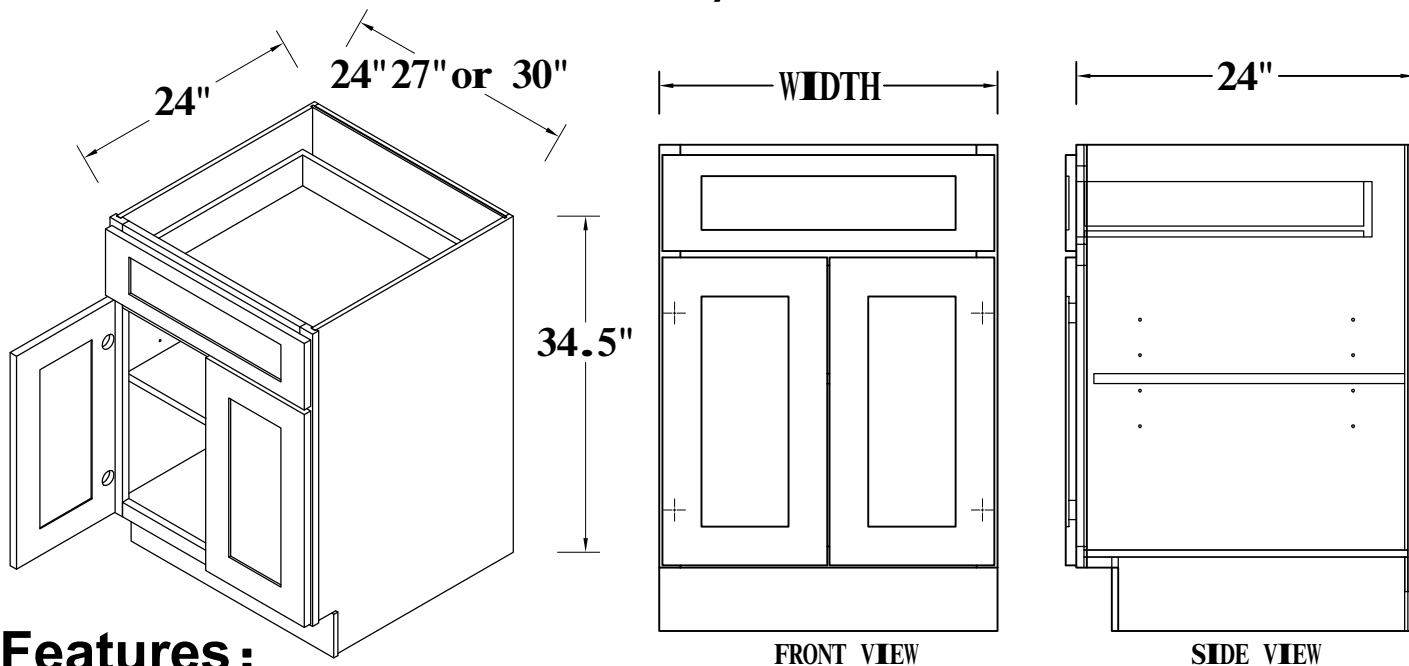
# BASE CABINET (SINGLE DRAWER, SINGLE DOOR)



- Features:**
- 1 Door & 1 Drawer
  - 1 Adjustable Shelf

ITEM CODE	DIMENSIONS	WEIGHT
B09	9Wx34-1/2Hx24D	
B12	12Wx34-1/2Hx24D	
B15	15Wx34-1/2Hx24D	
B18	18Wx34-1/2Hx24D	
B21	21Wx34-1/2Hx24D	

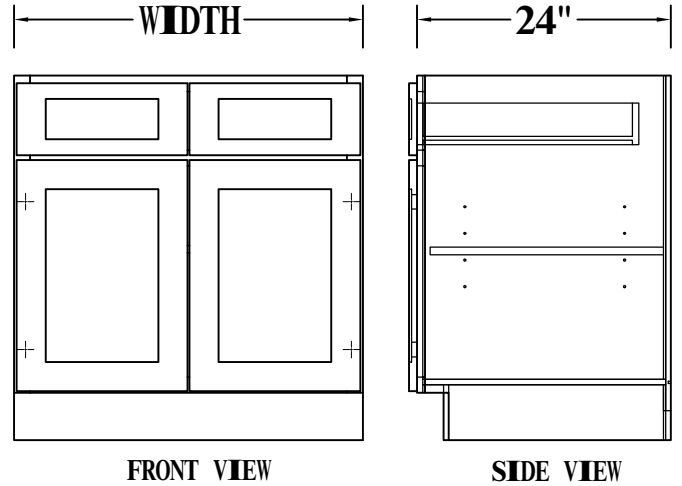
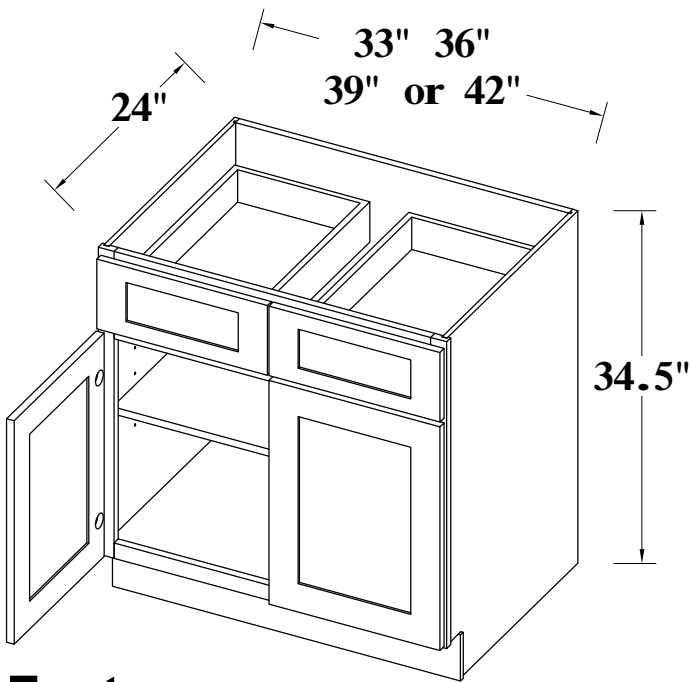
# BASE CABINET (SINGLE DRAWER, DOUBLE DOORS)



- Features:**
- 2 Doors & 1 Drawer
  - 1 Adjustable Shelf

ITEM CODE	DIMENSIONS	WEIGHT
B24	24Wx34-1/2Hx24D	
B27	27Wx34-1/2Hx24D	
B30	30Wx34-1/2Hx24D	

# BASE CABINET (DOUBLE DRAWERS, DOUBLE DOORS)

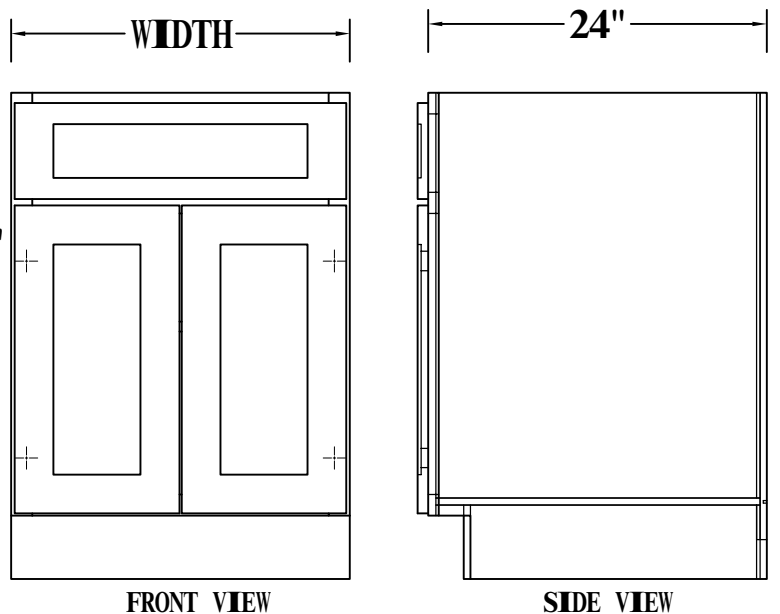
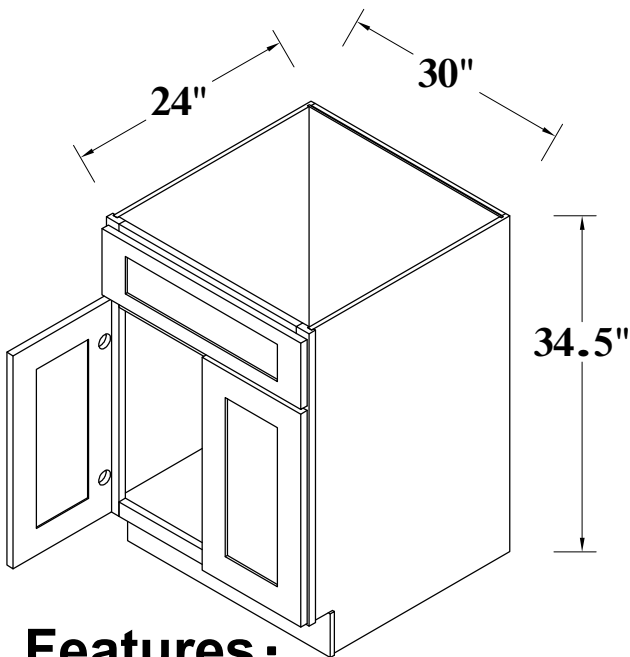


## Features:

- 2 Doors, 2 Drawers
- 1 Adjustable Shelf

ITEM CODE	DIMENSIONS	WEIGHT
B33	33Wx34-1/2Hx24D	
B36	36Wx34-1/2Hx24D	
B39	39Wx34-1/2Hx24D	
B42	42Wx34-1/2Hx24D	

# SINK BASE CABINET

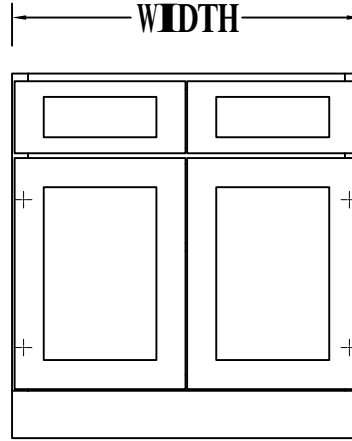
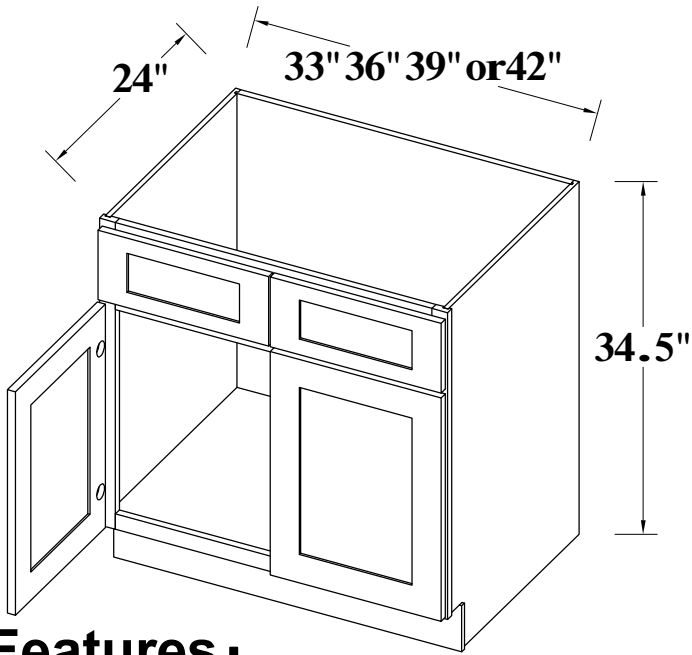


## Features:

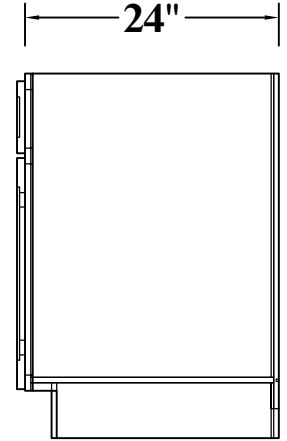
- 2 Doors
- 1 Dummy Drawers
- No Shelf

ITEM CODE	DIMENSIONS	WEIGHT
SB30	30Wx34-1/2Hx24D	

# SINK BASE CABINET (DOUBLE DRAWERS, DOUBLE DOORS)



FRONT VIEW



SIDE VIEW

## Features :

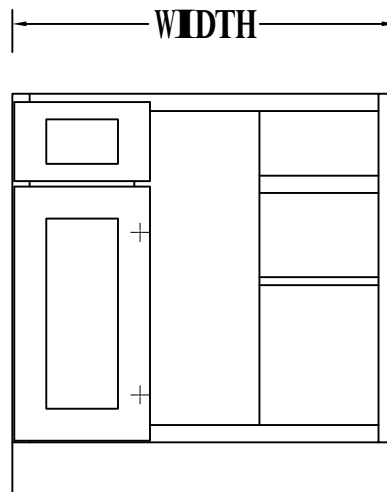
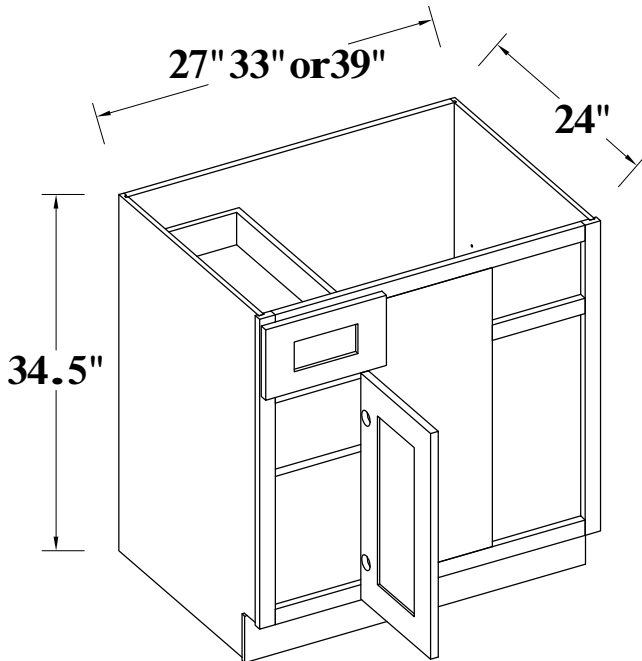
**2 Doors**

**2 Dummy Drawers**

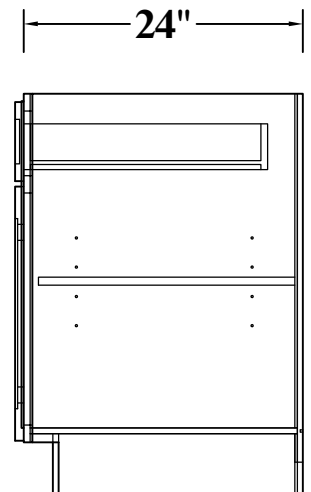
**No Shelf**

ITEM CODE	DIMENSIONS	WEIGHT
SB33	33Wx34-1/2Hx24D	
SB36	36Wx34-1/2Hx24D	
SB39	39Wx34-1/2Hx24D	
SB42	42Wx34-1/2Hx24D	

# BLIND BASE CORNER CABINET



FRONT VIEW



SIDE VIEW

## Features :

**1 Door/1 Drawer**

**1 Adjustable Shelf**

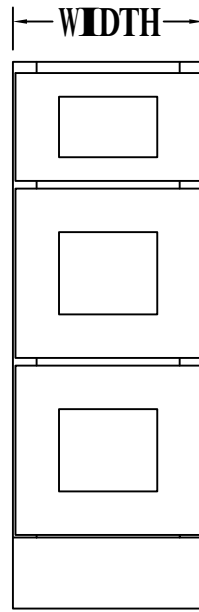
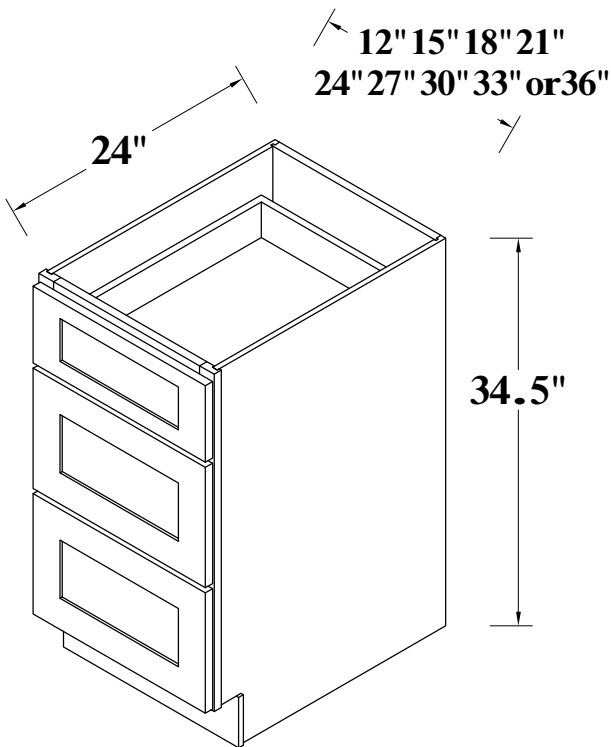
ITEM CODE	DIMENSIONS	WEIGHT
BLB3639	27Wx34-1/2Hx24D	
BLB3942	33Wx34-1/2Hx24D	
BLB4245	39Wx34-1/2Hx24D	

**BLB3639 Install Range 34"-42"**

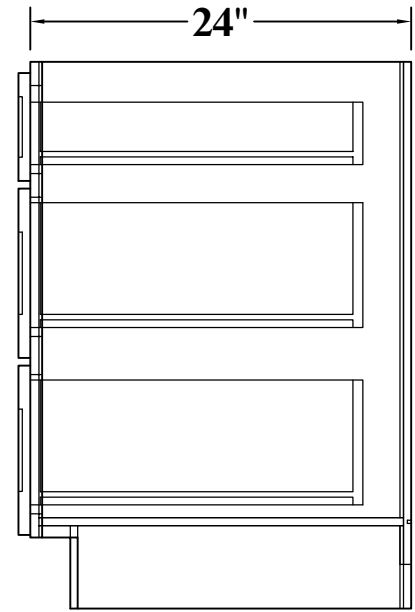
**BLB3942 Install Range 37"-45"**

**BLB4245 Install Range 39"-48"**

# DRAWER BASE CABINET(3 DRAWERS)



FRONT VIEW



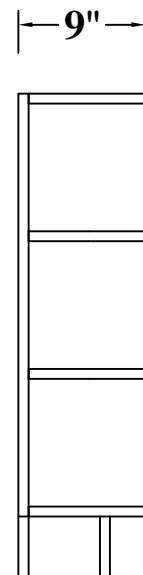
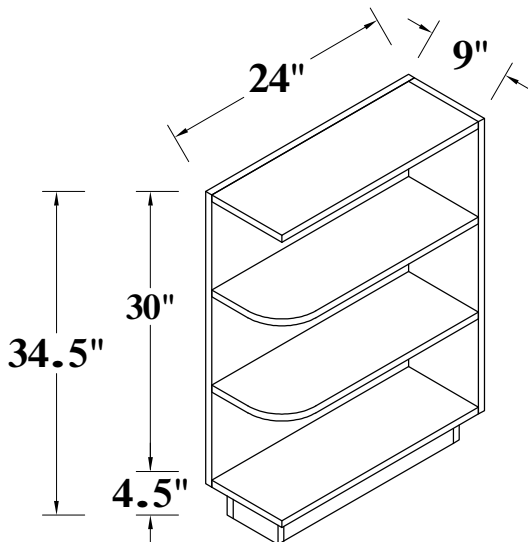
SIDE VIEW

ITEM CODE	DIMENSIONS	WEIGHT
3DB12	12Wx34-1/2Hx24D	
3DB15	15Wx34-1/2Hx24D	
3DB18	18Wx34-1/2Hx24D	
3DB21	21Wx34-1/2Hx24D	
3DB24	24Wx34-1/2Hx24D	
3DB27	27Wx34-1/2Hx24D	
3DB30	30Wx34-1/2Hx24D	
3DB33	33Wx34-1/2Hx24D	
3DB36	36Wx34-1/2Hx24D	

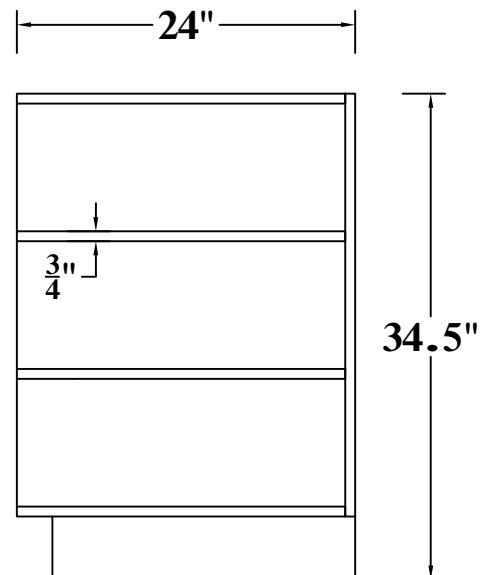
## Features:

- 1 Small Top Drawer
- 2 Large Bottom Drawers

# BASE END SHELF CABINET



FRONT VIEW



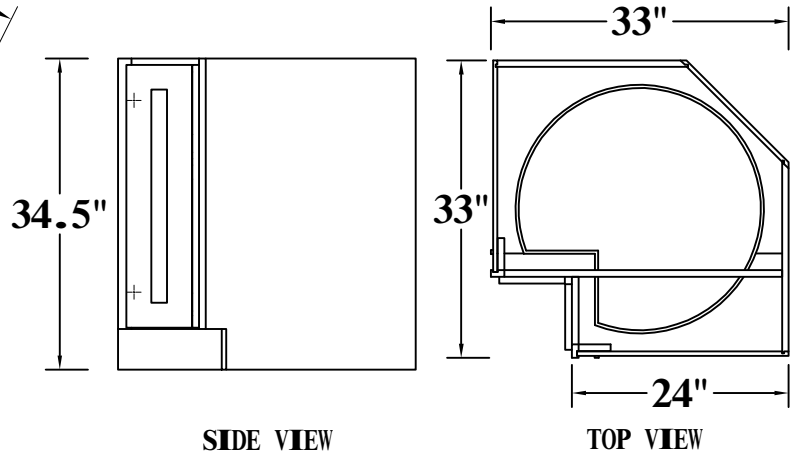
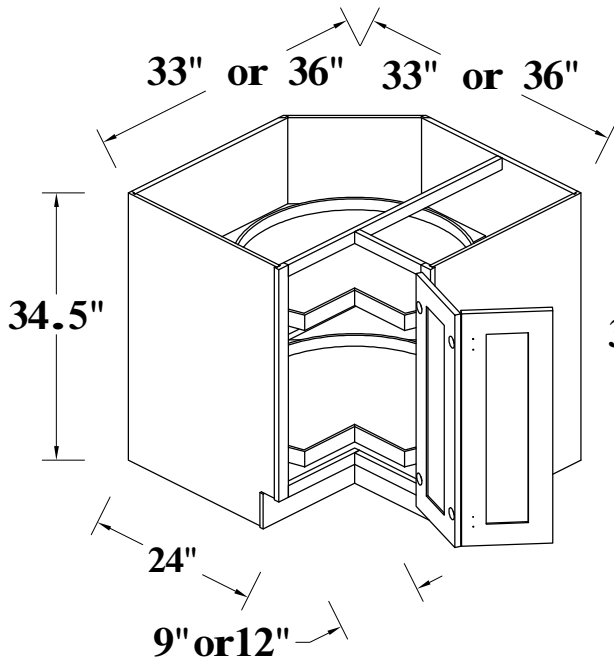
SIDE VIEW

## Features:

- 2 Fixed Shelves
- Matching Color Finish
- For Both L/R

ITEM CODE	DIMENSIONS	WEIGHT
BES09	9Wx34-1/2Hx24D	

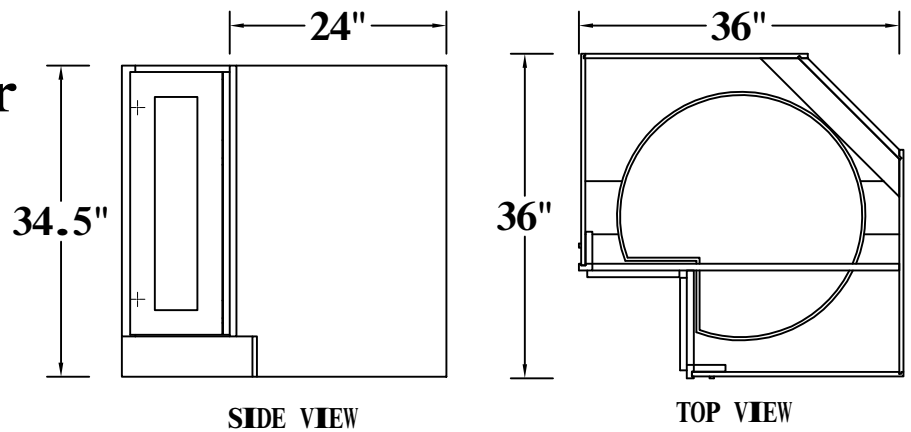
# BASE LAZY SUSAN CORNER CABINET



ITEM CODE	DIMENSIONS	WEIGHT
CAR33	33Wx34-1/2Hx33D	

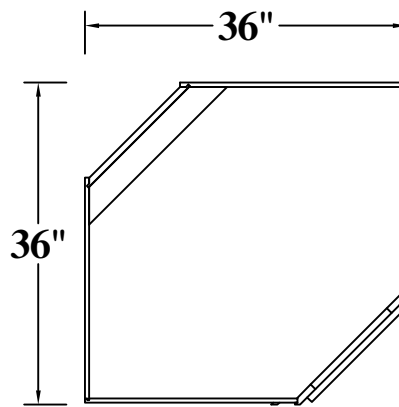
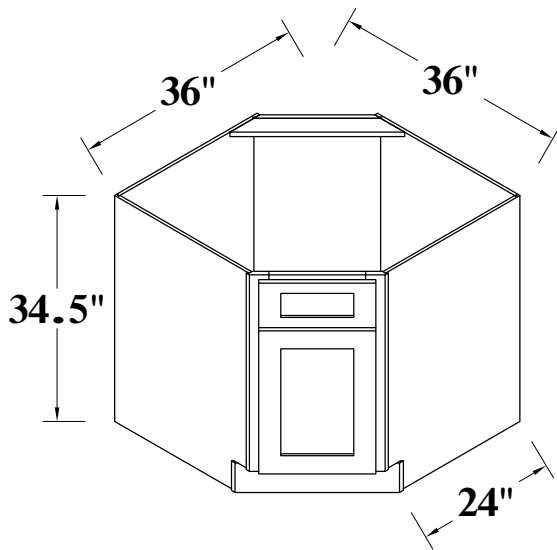
## Features:

- 2 Wooden Baskets
- 1 Bi-Folding Door

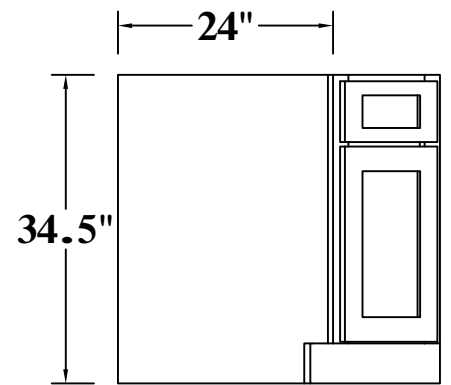


ITEM CODE	DIMENSIONS	WEIGHT
CAR36	36Wx34-1/2Hx36D	

## DIAGONAL CORNER SINK BASE 36"X36"



TOP VIEW



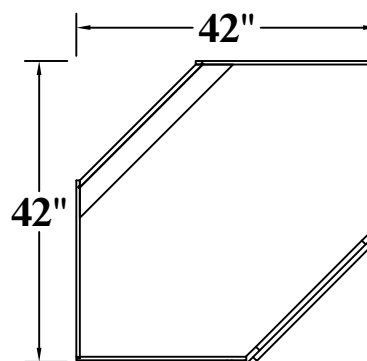
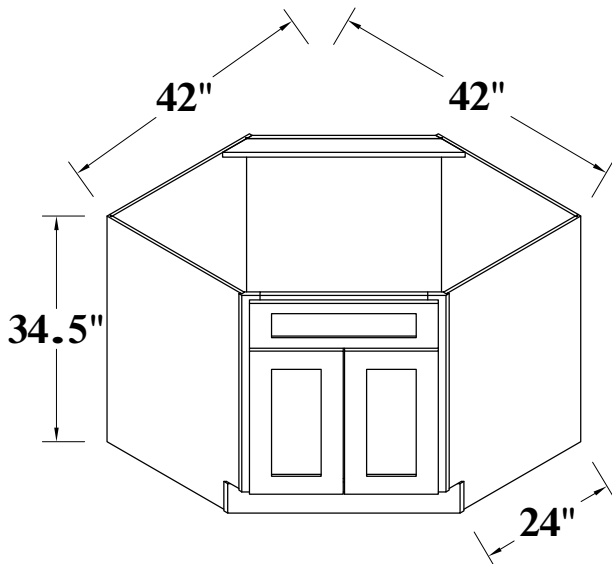
SIDE VIEW

**Features :**

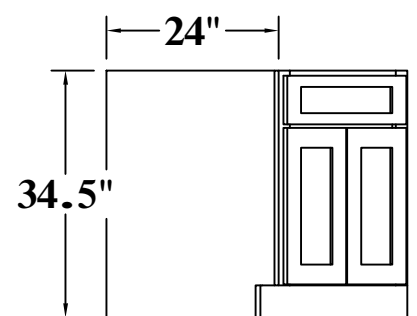
- 1 Door**
- 1 Dummy Drawer**
- No Shelf**

ITEM CODE	DIMENSIONS	WEIGHT
NCSB36	36Wx34.5Hx36D	

## DIAGONAL CORNER SINK BASE 42"X42"



TOP VIEW



SIDE VIEW

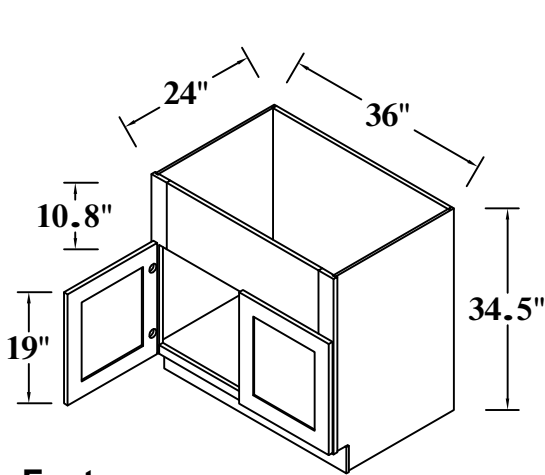
**Features :**

- 2 Doors**
- 1 Dummy Drawer**
- No Shelf**

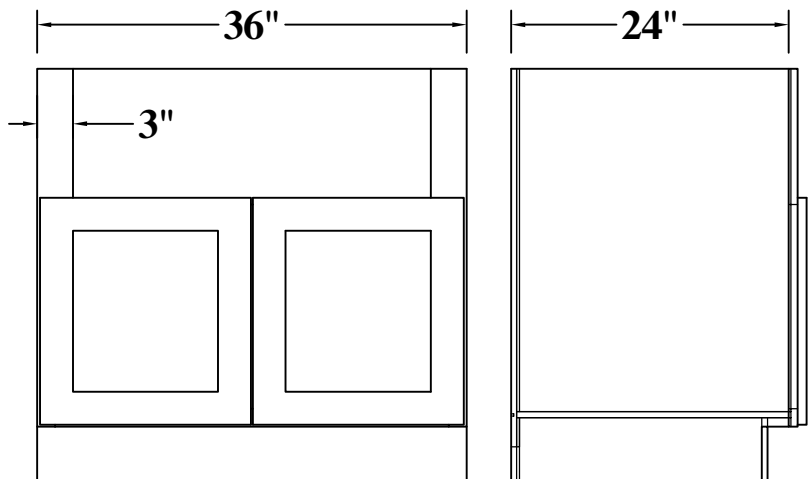
ITEM CODE	DIMENSIONS	WEIGHT
NCSB42	42Wx34.5Hx42D	



# FARMER SINK BASE CABINET



**Features:**  
**2 Door**  
**No Shelf**

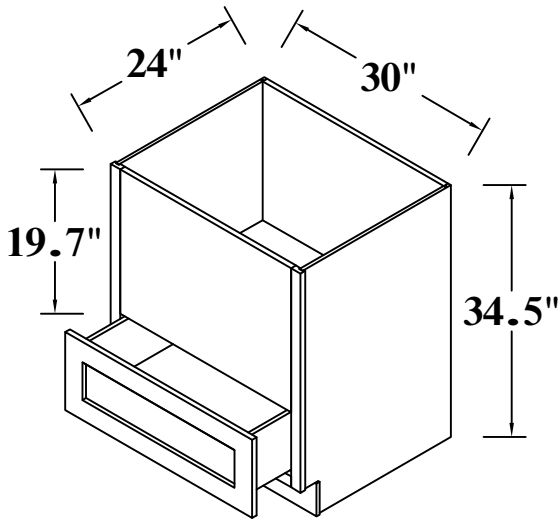


FRONT VIEW

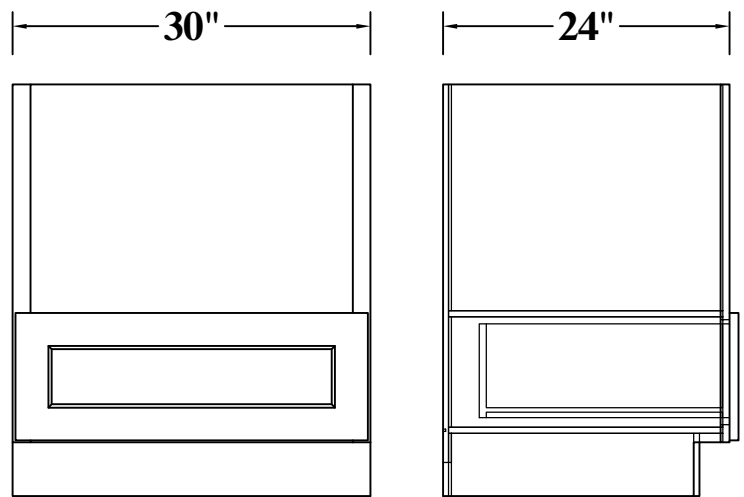
SIDE VIEW

ITEM CODE	DIMENSIONS	WEIGHT
FSB36	36Wx34.5Hx24D	

# BASE MICROWAVE CABINET



**Features:**  
**1 Bottom Drawer**

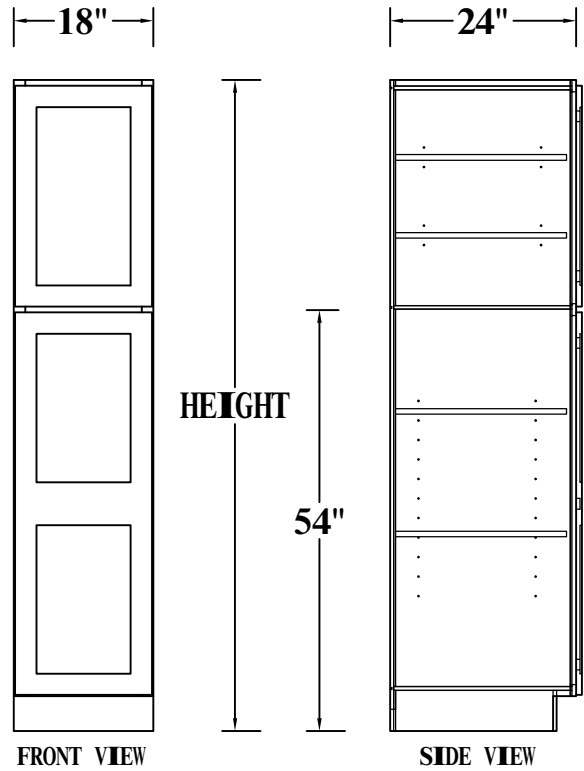
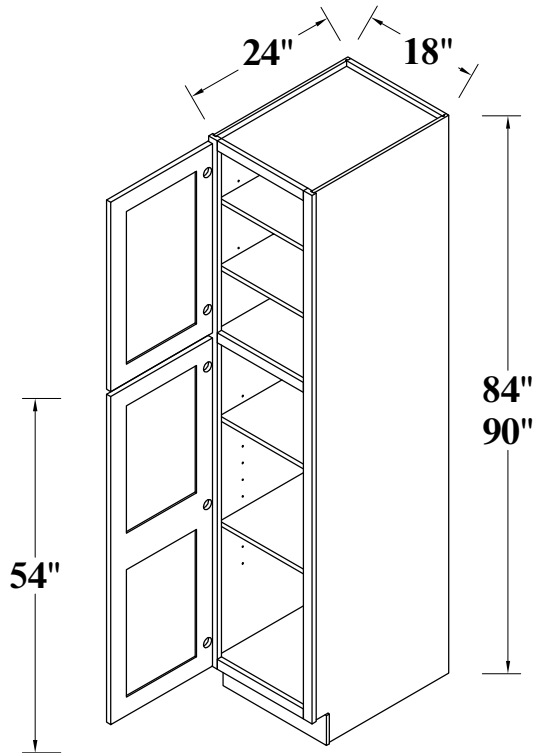


FRONT VIEW

SIDE VIEW

ITEM CODE	DIMENSIONS	WEIGHT
BMC30	30Wx34.5Hx24D	

# PANTRY TALL CABINET

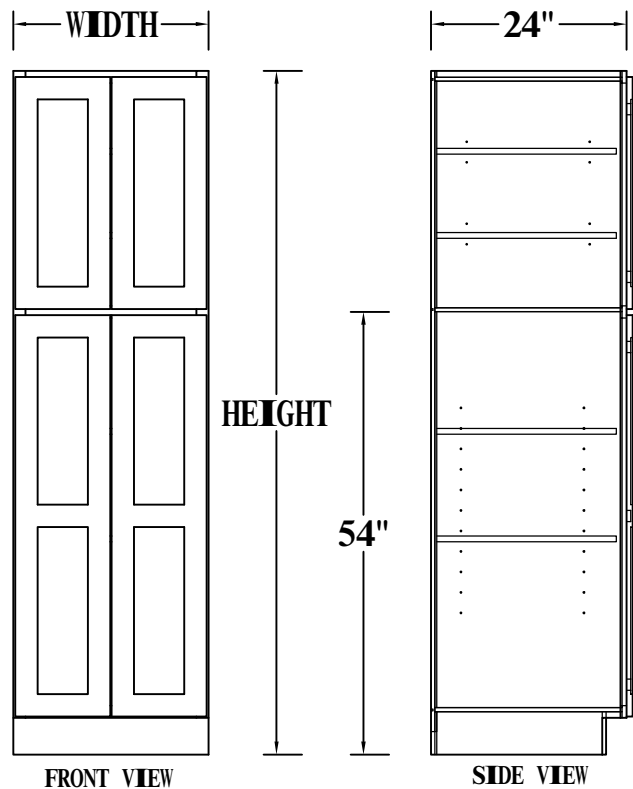
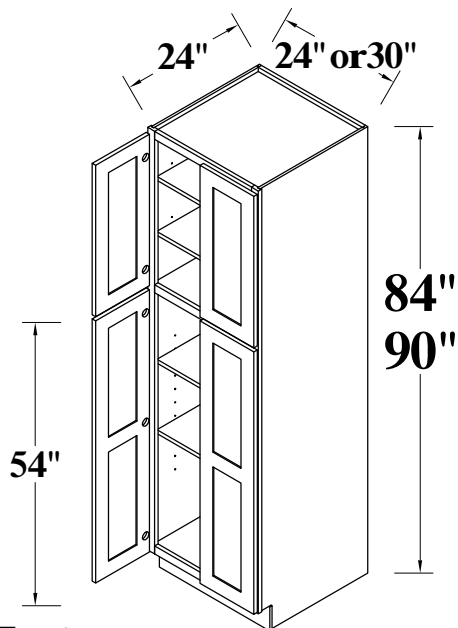


**Features:**

- 2 Doors
- 2 Adjustable Top Shelves
- 2 Bottom Shelves

ITEM CODE	DIMENSIONS	WEIGHT
WP182484	18Wx84Hx24D	
WP182490	18Wx90Hx24D	

# PANTRY TALL CABINET

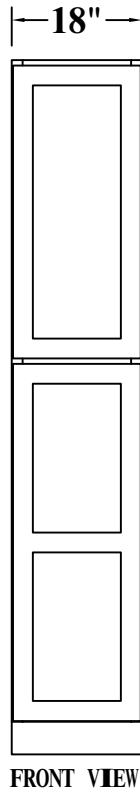
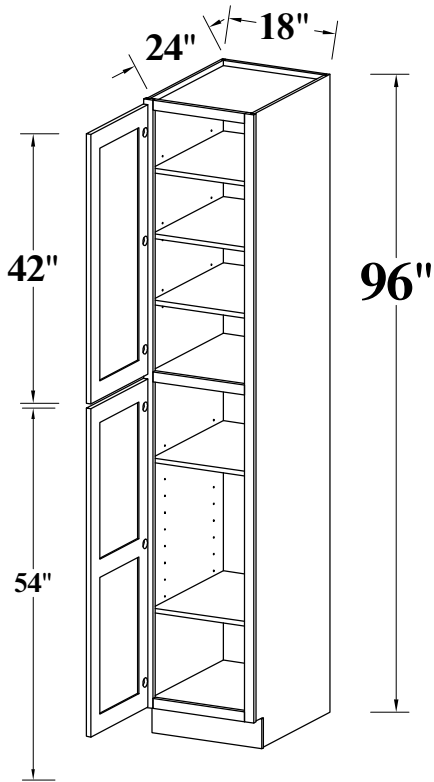


**Features:**

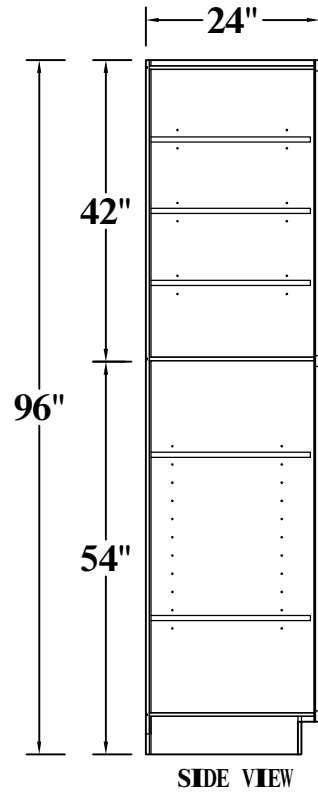
- 4 Doors
- 2 Adjustable Top Shelves
- 2 Bottom Shelves

ITEM CODE	DIMENSIONS	WEIGHT
WP242484	24Wx84Hx24D	
WP242490	24Wx90Hx24D	
WP302484	30Wx84Hx24D	
WP302490	30Wx90Hx24D	

# PANTRY TALL CABINET



FRONT VIEW



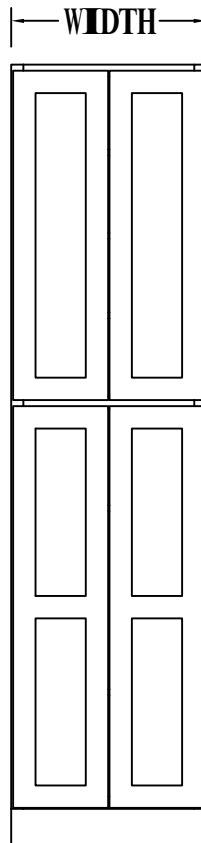
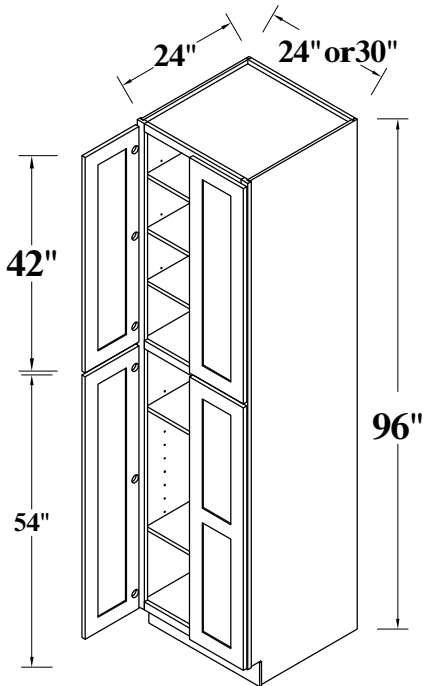
SIDE VIEW

ITEM CODE	DIMENSIONS	WEIGHT
WP182496	18Wx96Hx24D	

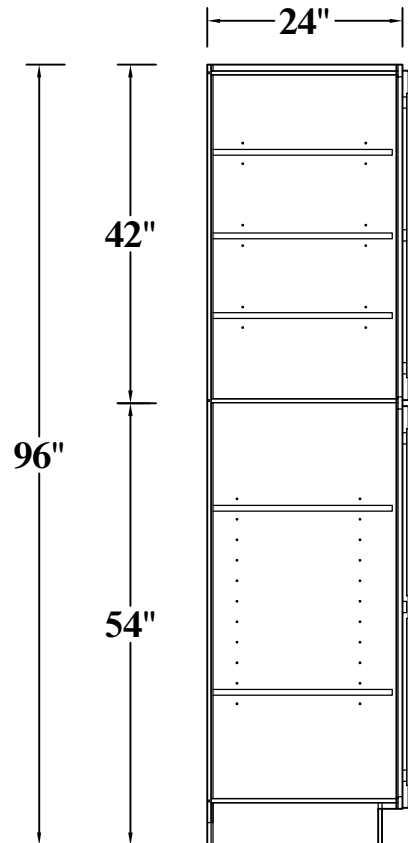
**Features:**

- 2 Doors
- 3 Adjustable Top Shelves
- 2 Bottom Shelves

# PANTRY TALL CABINET



FRONT VIEW



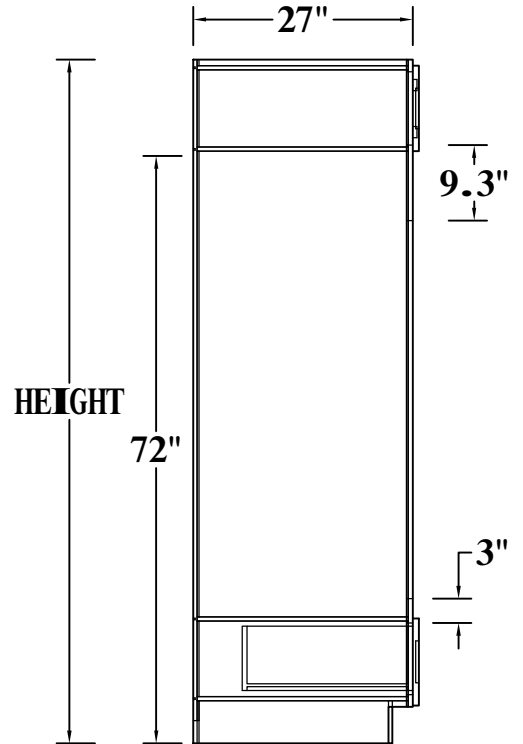
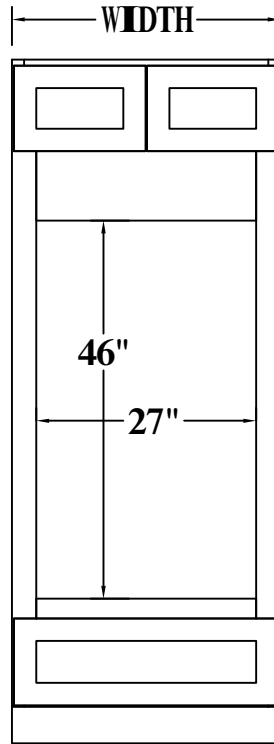
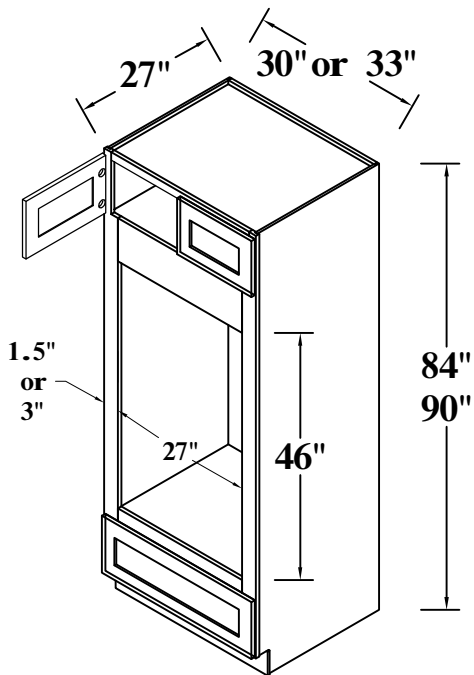
SIDE VIEW

ITEM CODE	DIMENSIONS	WEIGHT
WP242496	24Wx96Hx24D	
WP302496	30Wx96Hx24D	

**Features:**

- 4 Doors
- 3 Adjustable Top Shelves
- 2 Bottom Shelves

# OVEN CABINET, DOUBLE DOORS ON UPPER



**Features:**

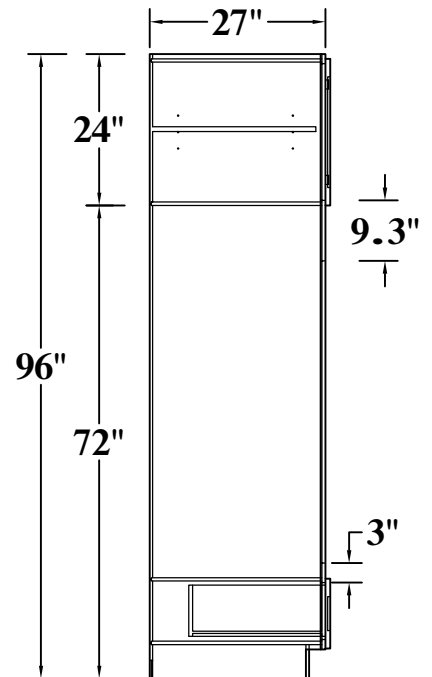
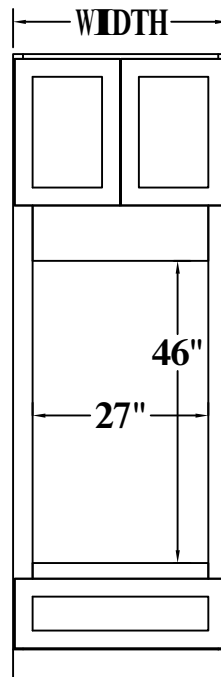
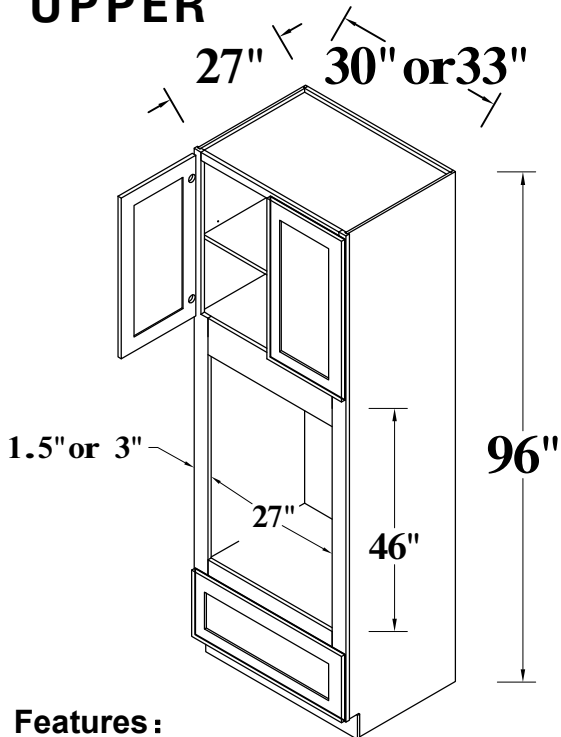
- 2 Doors On Upper**
- 1 Large Open Shelf**
- 1 Bottom Drawer**

FRONT VIEW

SIDE VIEW

ITEM CODE	DIMENSIONS	WEIGHT
OC3084	30Wx84Hx27D	
OC3090	30Wx90Hx27D	
OC3384	33Wx84Hx27D	
OC3390	33Wx90Hx27D	

# OVEN CABINET, DOUBLE DOORS ON UPPER



**Features:**

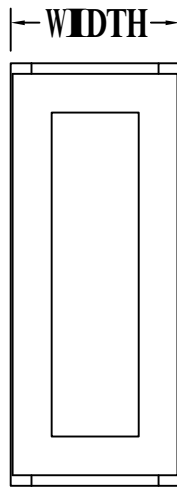
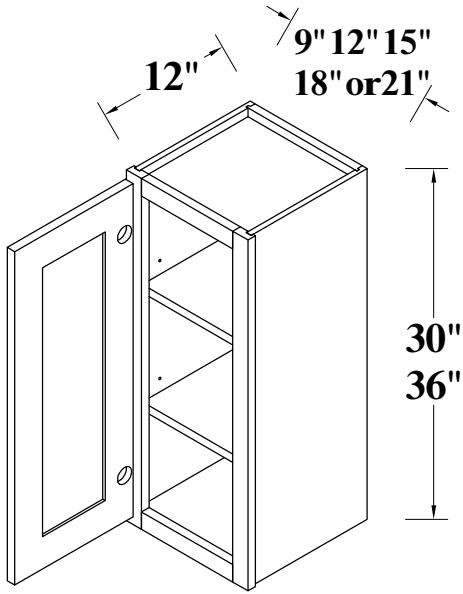
- 2 Doors On Upper**
- 1 Adjustable Shelf**
- 1 Large Open Shelf**
- 1 Bottom Drawer**

FRONT VIEW

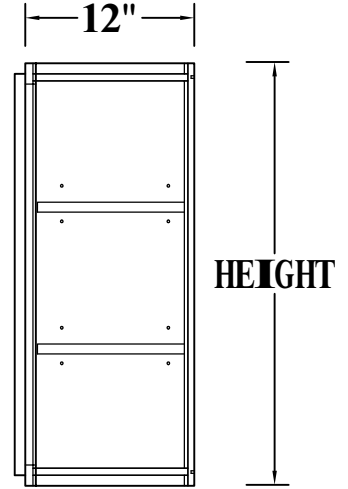
SIDE VIEW

ITEM CODE	DIMENSIONS	WEIGHT
OC3096	30Wx96Hx27D	
OC3396	33Wx96Hx27D	

# WALL CABINET SINGLE DOOR



FRONT VIEW



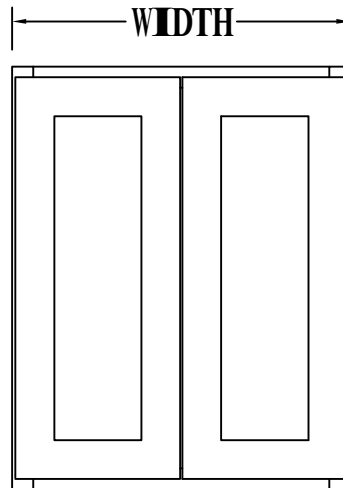
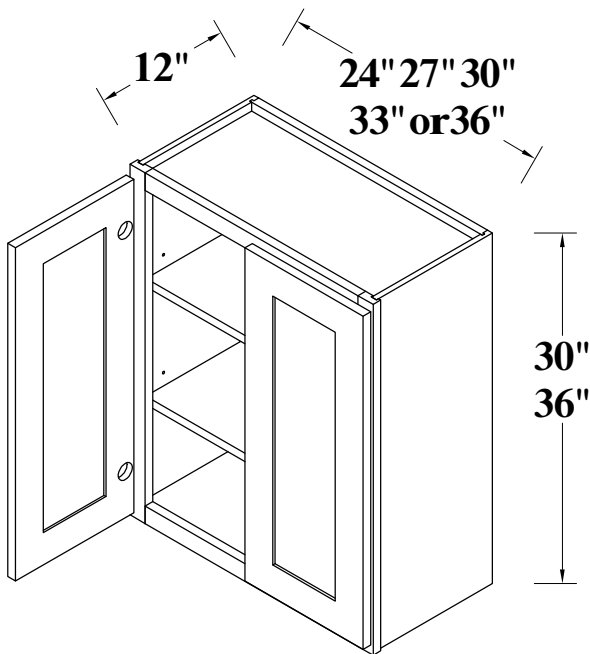
SIDE VIEW

ITEM CODE	DIMENSIONS	WEIGHT
W0930	9Wx30Hx12D	
W1230	12Wx30Hx12D	
W1530	15Wx30Hx12D	
W1830	18Wx30Hx12D	
W2130	21Wx30Hx12D	
W0936	9Wx36Hx12D	
W1236	12Wx36Hx12D	
W1536	15Wx36Hx12D	
W1836	18Wx36Hx12D	
W2136	21Wx36Hx12D	

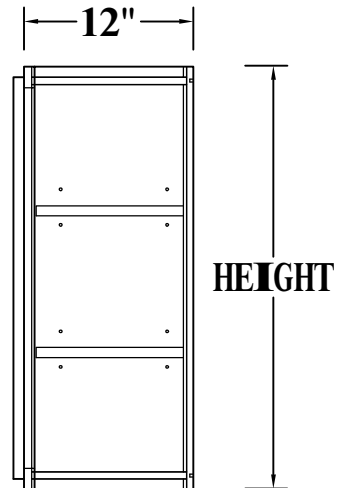
## Features :

- 1 Door
- 2 Adjustable Shelves

# WALL CABINET DOUBLE DOORS



FRONT VIEW



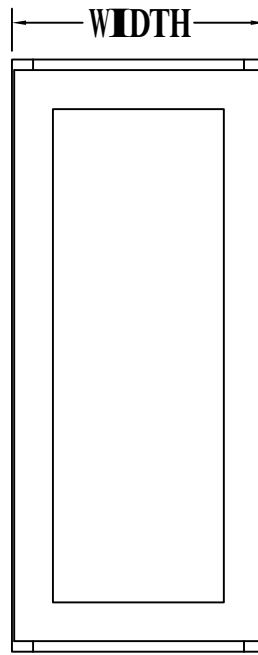
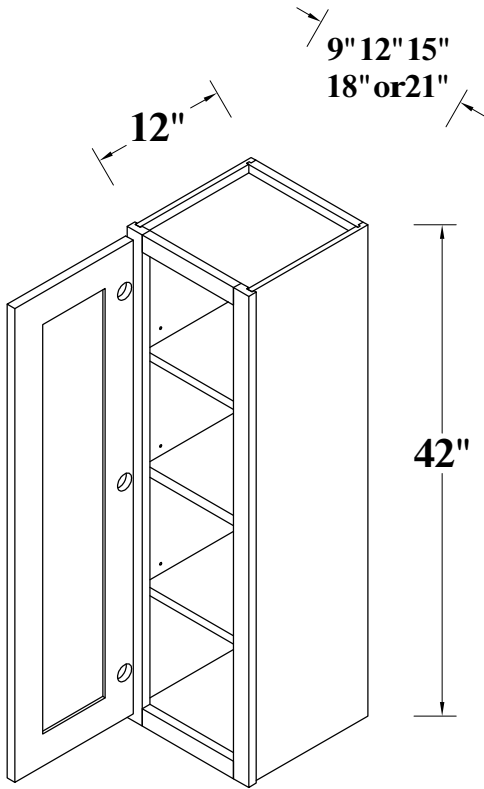
SIDE VIEW

ITEM CODE	DIMENSIONS	WEIGHT
W2430	24Wx30Hx12D	
W2730	27Wx30Hx12D	
W3030	30Wx30Hx12D	
W3330	33Wx30Hx12D	
W3630	36Wx30Hx12D	
W2436	24Wx36Hx12D	
W2736	27Wx36Hx12D	
W3036	30Wx36Hx12D	
W3336	33Wx36Hx12D	
W3636	36Wx36Hx12D	

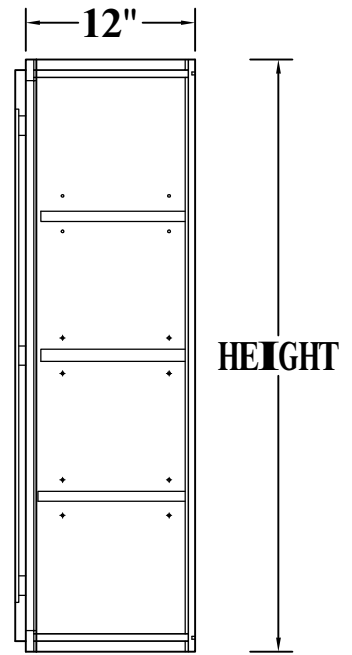
## Features :

- 2 Doors
- 2 Adjustable Shelves

# WALL CABINET SINGLE DOOR



FRONT VIEW



SIDE VIEW

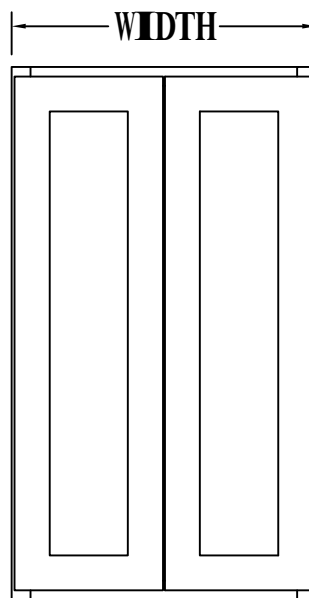
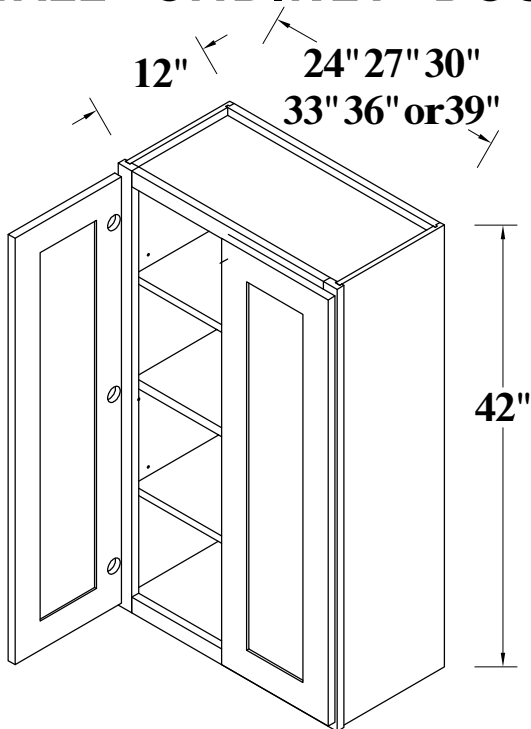
ITEM CODE	DIMENSIONS	WEIGHT
W0942	9Wx42Hx12D	
W1242	12Wx42Hx12D	
W1542	15Wx42Hx12D	
W1842	18Wx42Hx12D	
W2142	21Wx42Hx12D	

## Features:

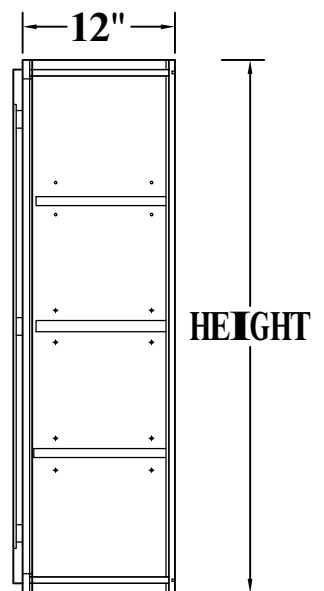
1 Door

3 Adjustable Shelves

# WALL CABINET DOUBLE DOORS



FRONT VIEW



SIDE VIEW

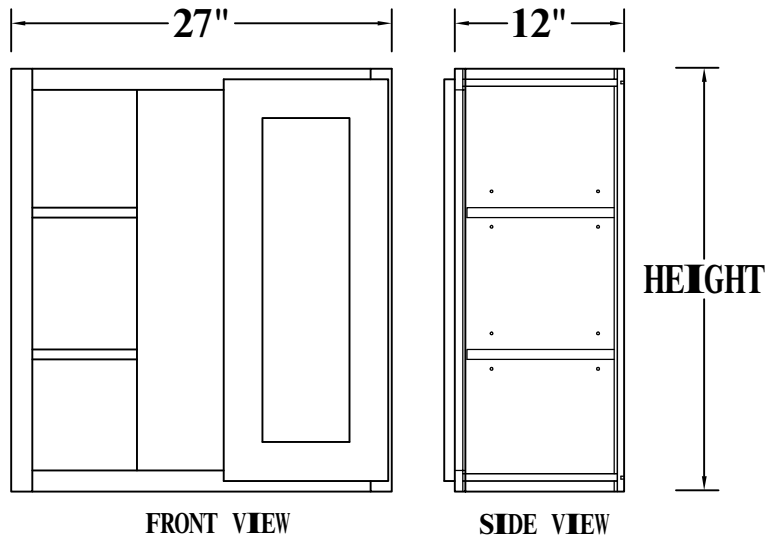
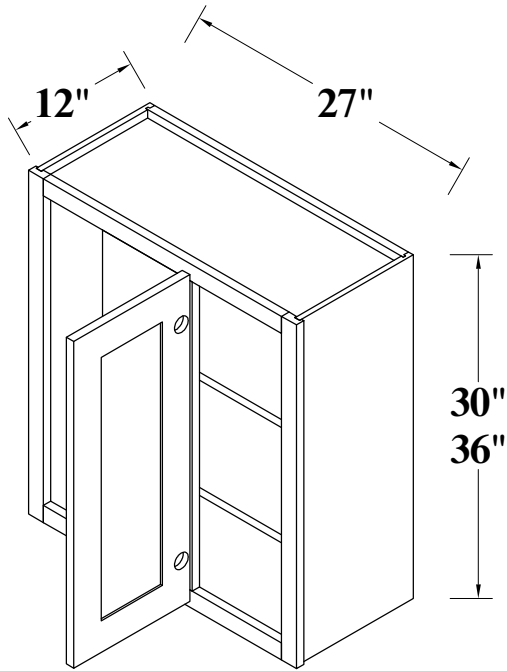
ITEM CODE	DIMENSIONS	WEIGHT
W2442	24Wx42Hx12D	
W2742	27Wx42Hx12D	
W3042	30Wx42Hx12D	
W3342	33Wx42Hx12D	
W3642	36Wx42Hx12D	
W3942	39Wx42Hx12D	

## Features:

2 Doors

3 Adjustable Shelves

# WALL BLIND CORNER CABINET

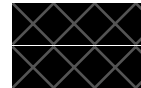


ITEM CODE	DIMENSIONS	WEIGHT
BLW2730	27Wx30Hx12D	
BLW2736	27Wx36Hx12D	

## Features :

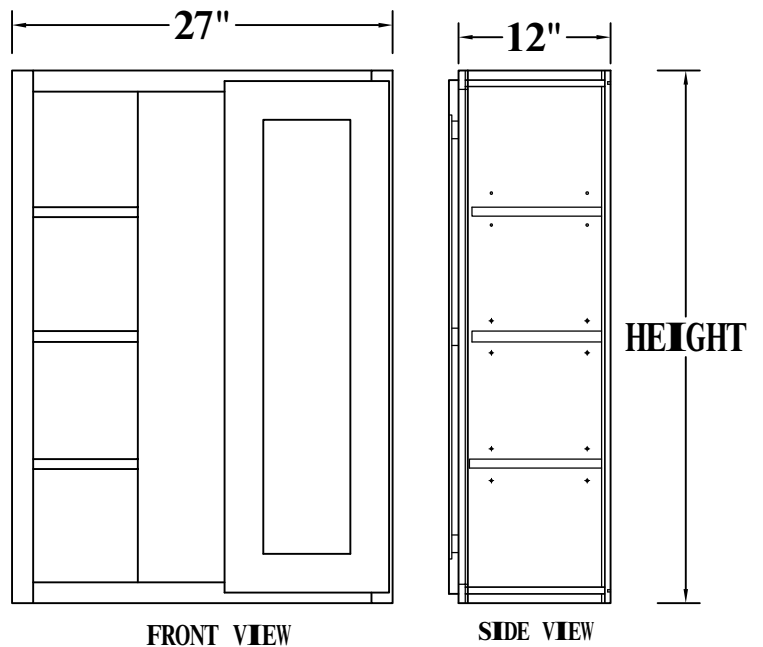
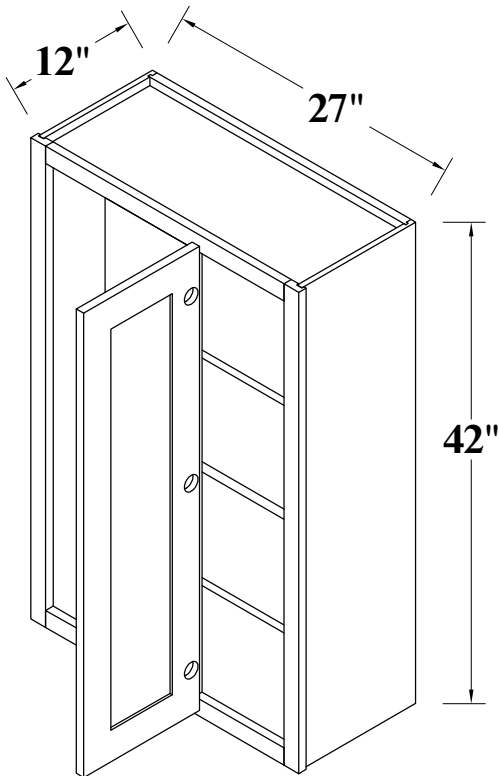
- 1 Door
- 2 Adjustable Shelves
- For Both L/R

BLW2730 Install Range



BLW2736 Install Range

# WALL BLIND CORNER CABINET



ITEM CODE	DIMENSIONS	WEIGHT
BLW2742	27Wx42Hx12D	

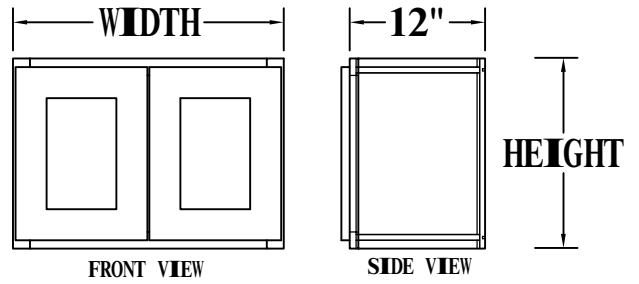
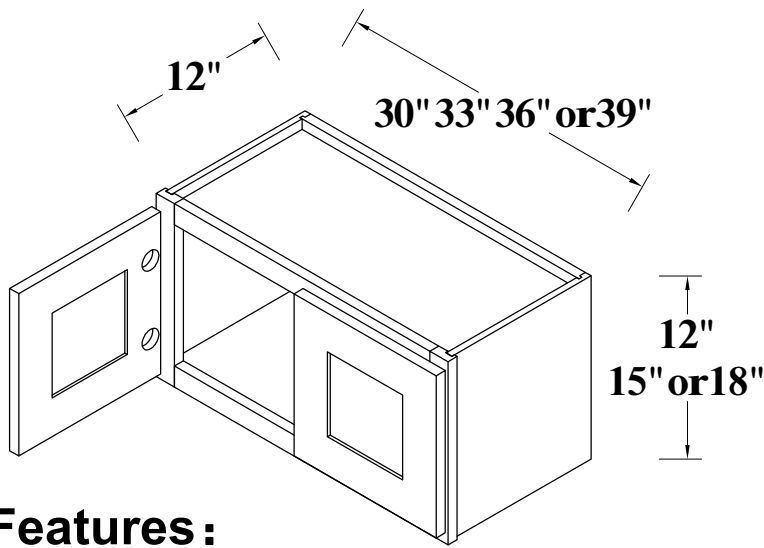
## Features :

- 1 Door, 3 Adjustable Shelves
- For Both L/R

BLW2742 Install Range



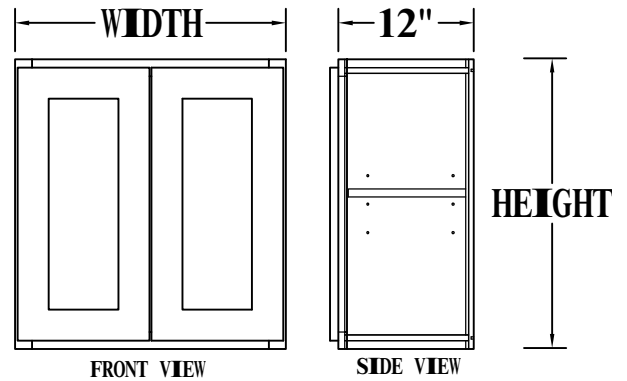
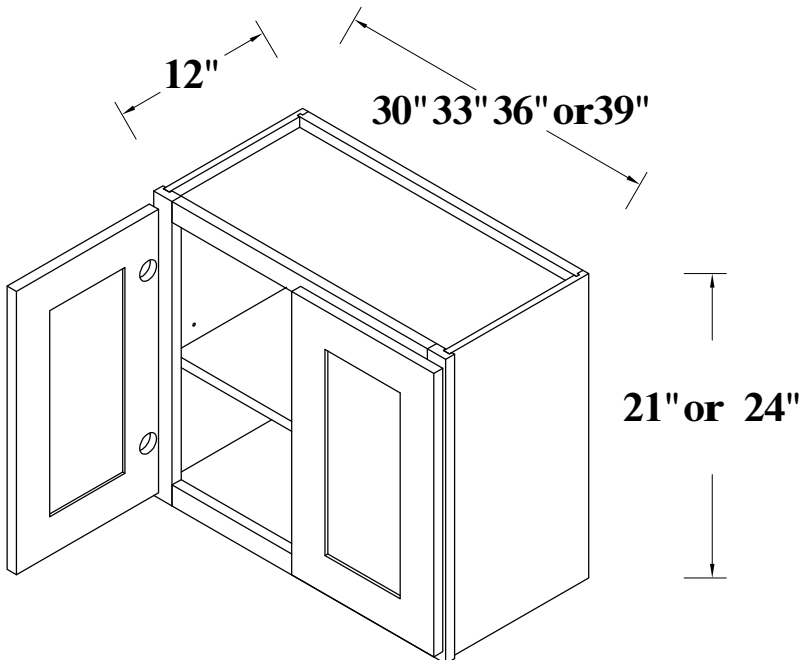
# WALL CABINET DOUBLE DOORS



ITEM CODE	DIMENSIONS	WEIGHT
W3012	30Wx12Hx12D	
W3312	33Wx12Hx12D	
W3612	36Wx12Hx12D	
W3912	39Wx12Hx12D	
W3015	30Wx15Hx12D	
W3315	33Wx15Hx12D	
W3615	36Wx15Hx12D	
W3915	39Wx15Hx12D	
W3018	30Wx18Hx12D	
W3318	33Wx18Hx12D	
W3618	36Wx18Hx12D	
W3918	39Wx18Hx12D	

**Features:**  
**2 Doors**  
**No Shelf**

# WALL CABINET DOUBLE DOORS

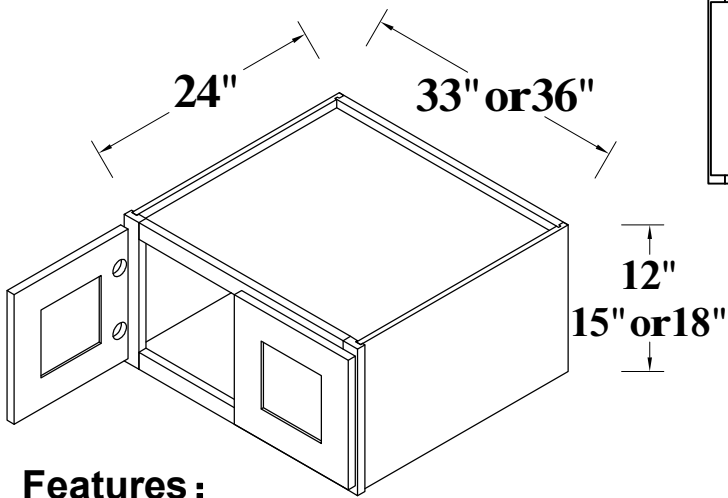


ITEM CODE	DIMENSIONS	WEIGHT
W3021	30Wx21Hx12D	
W3024	30Wx24Hx12D	
W3324	33Wx24Hx12D	
W3621	36Wx21Hx12D	
W3624	36Wx24Hx12D	
W3924	39Wx24Hx12D	

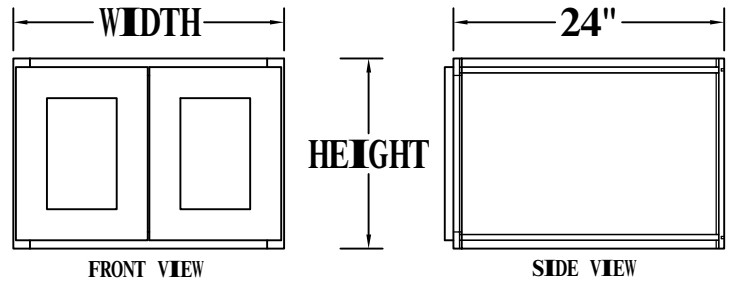
**Features:**  
**2 Doors**  
**1 Adjustable Shelf**



# REFRIGERATOR WALL CABINET DOUBLE DOORS

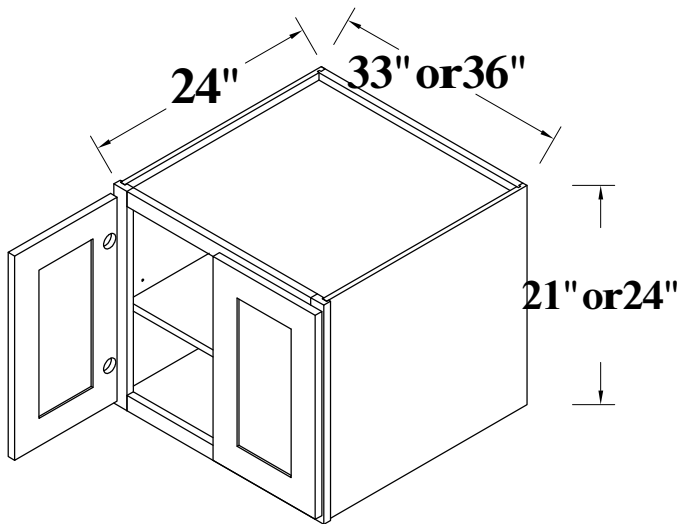


**Features :**  
**2 Doors**  
**No Shelf**

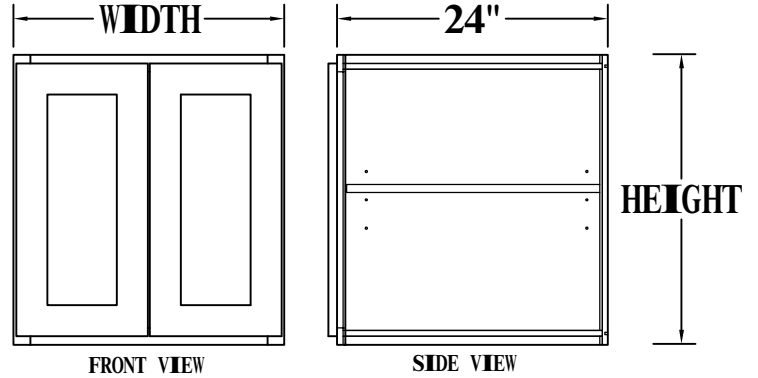


ITEM CODE	DIMENSIONS	WEIGHT
W331224	33Wx12Hx24D	
W331524	33Wx15Hx24D	
W331824	33Wx18Hx24D	
W361224	36Wx12Hx24D	
W361524	36Wx15Hx24D	
W361824	36Wx18Hx24D	
W391224	39Wx12Hx24D	
W391524	39Wx15Hx24D	
W391824	39Wx18Hx24D	

# REFRIGERATOR WALL CABINET DOUBLE DOORS

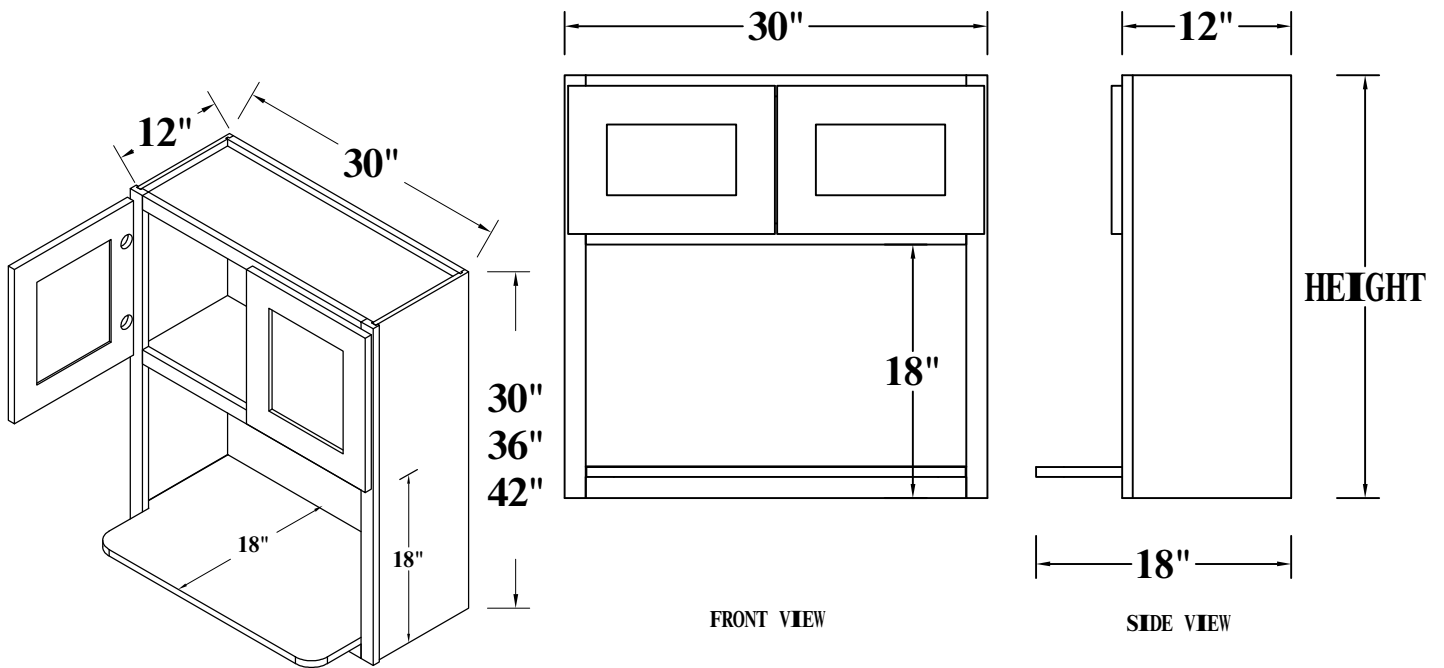


**Features :**  
**2 Doors**  
**1 Adjustable Shelf**



ITEM CODE	DIMENSIONS	WEIGHT
W362124	36Wx21Hx24D	
W332424	33Wx24Hx24D	
W362424	36Wx24Hx24D	
W392424	39Wx24Hx24D	

# MICROWAVE WALL CABINET



## Features :

**2 Doors**

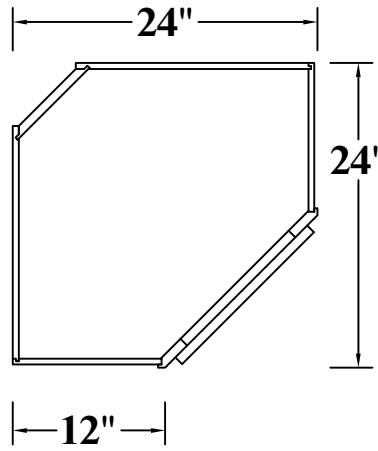
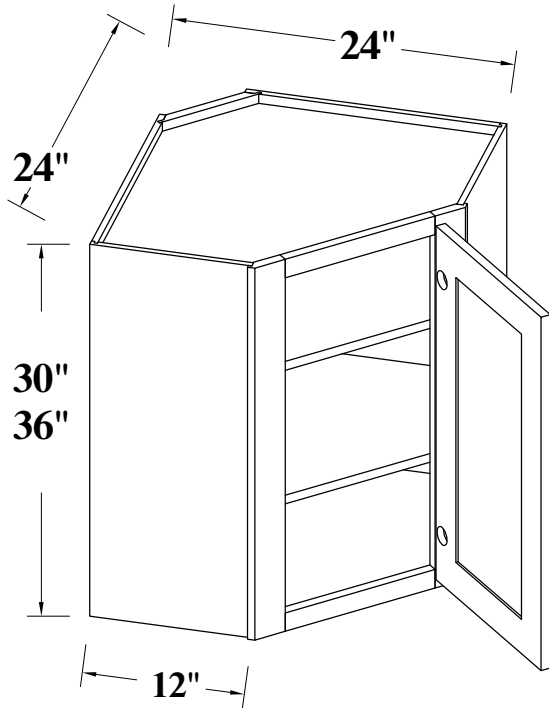
**No Adjustable Shelf**

**1 Open Shelf**

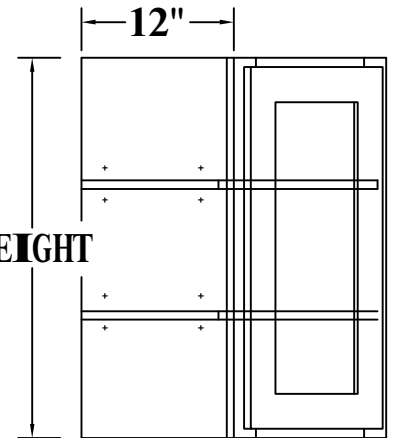
**Matching Color Finish**

ITEM CODE	DIMENSIONS	WEIGHT
MWC3030	30Wx30Hx12D	
MWC3036	30Wx36Hx12D	
MWC3042	30Wx42Hx12D	

# WALL DIAGONAL CABINET



TOP VIEW



SIDE VIEW

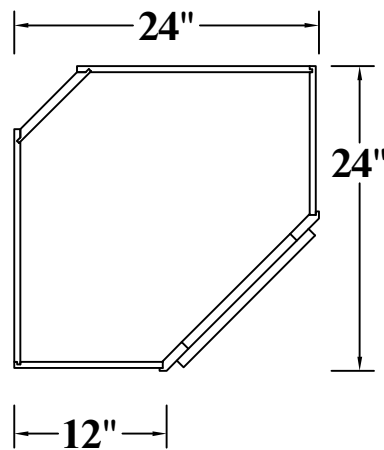
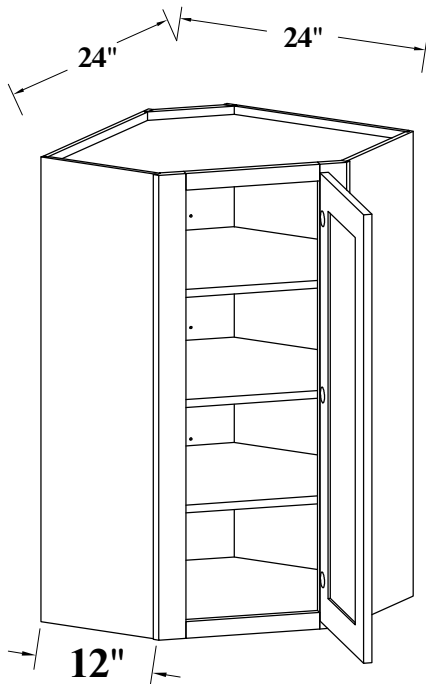
ITEM CODE	DIMENSIONS	WEIGHT
WDC2430	24Wx30Hx24D	
WDC2436	24Wx36Hx24D	

**Features :**

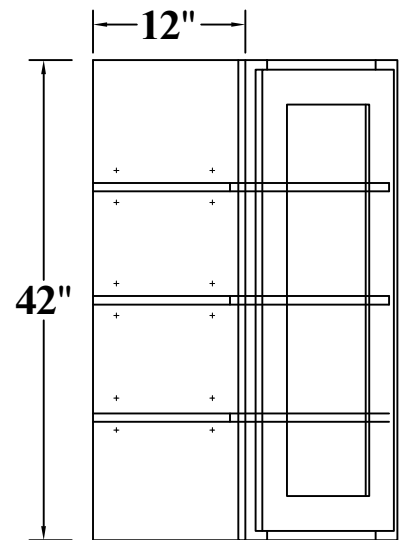
**1 Door**

**2 Adjustable Shelves**

# WALL DIAGONAL CABINET, 42" H



TOP VIEW



SIDE VIEW

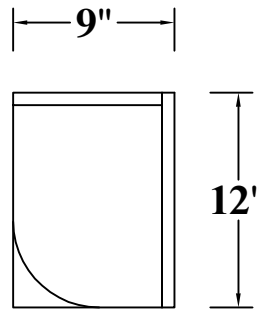
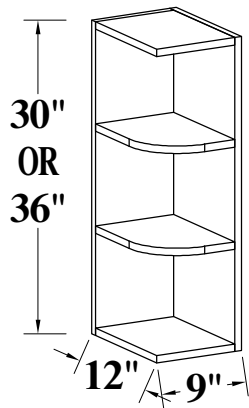
ITEM CODE	DIMENSIONS	WEIGHT
WDC2442	24Wx42Hx24D	

**Features :**

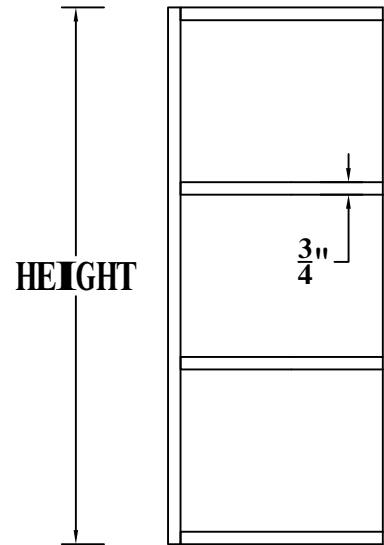
**1 Door**

**3 Adjustable Shelves**

## WALL END SHELF, 30" H & 36" H



TOP VIEW



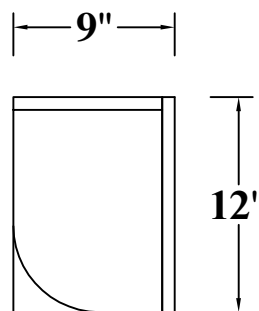
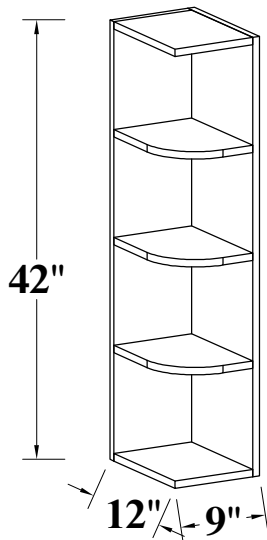
SIDE VIEW

**Features :**

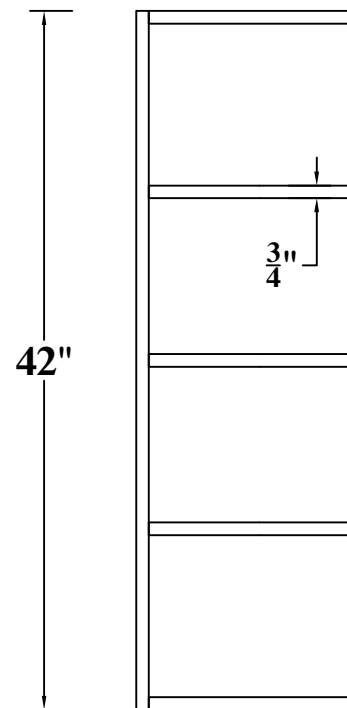
**2 Fixed Shelves  
For Both L/R  
Matching Color Finish**

ITEM CODE	DIMENSIONS	WEIGHT
WES0930	9Wx30Hx12D	
WES0936	9Wx36Hx12D	

## WALL END SHELF, 42" H



TOP VIEW



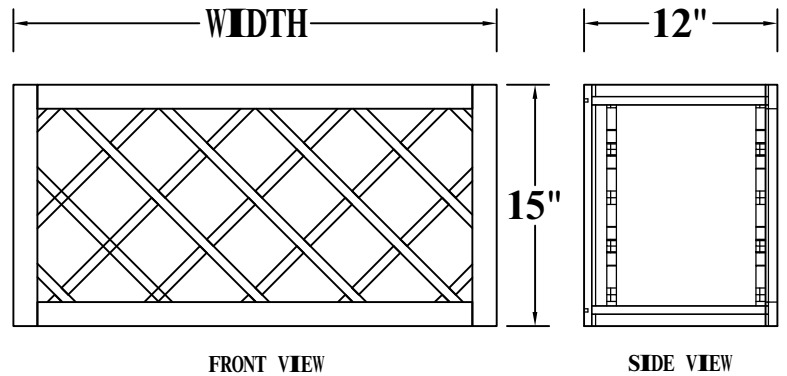
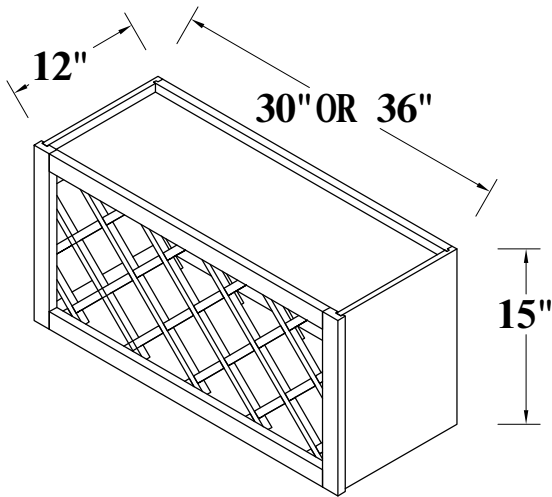
SIDE VIEW

**Features :**

**3 Fixed Shelves  
For Both L/R  
Matching Color Finish**

ITEM CODE	DIMENSIONS	WEIGHT
WES0942	9Wx42Hx12D	

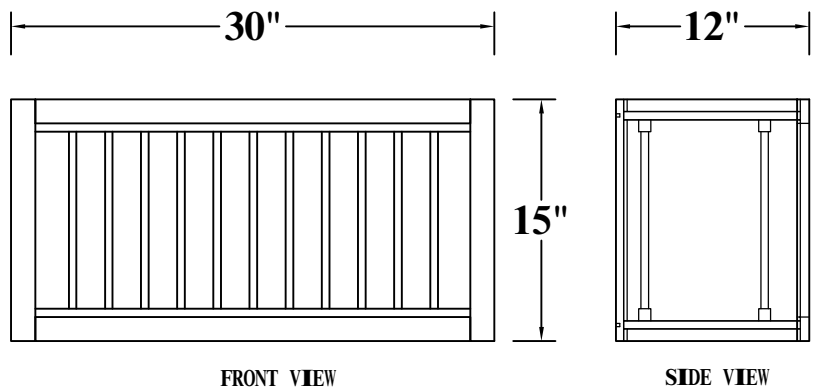
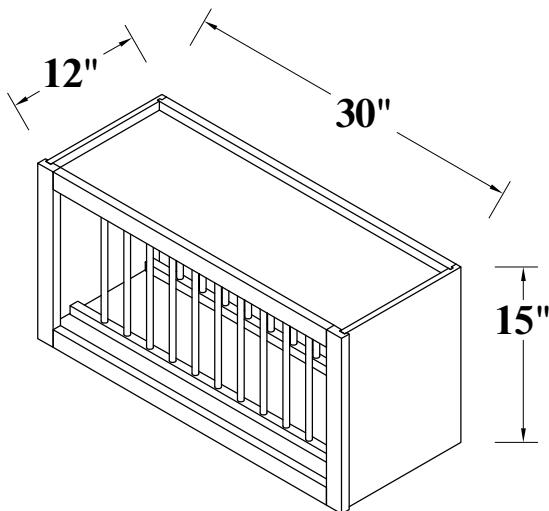
# WINE RACK WALL CABINET



**Features :**  
**Can Install Vertically**  
**or Horizontally**  
**Matching Color Finish**

ITEM CODE	DIMENSIONS	WEIGHT
WR3015	30Wx15Hx12D	
WR3615	36Wx15Hx12D	

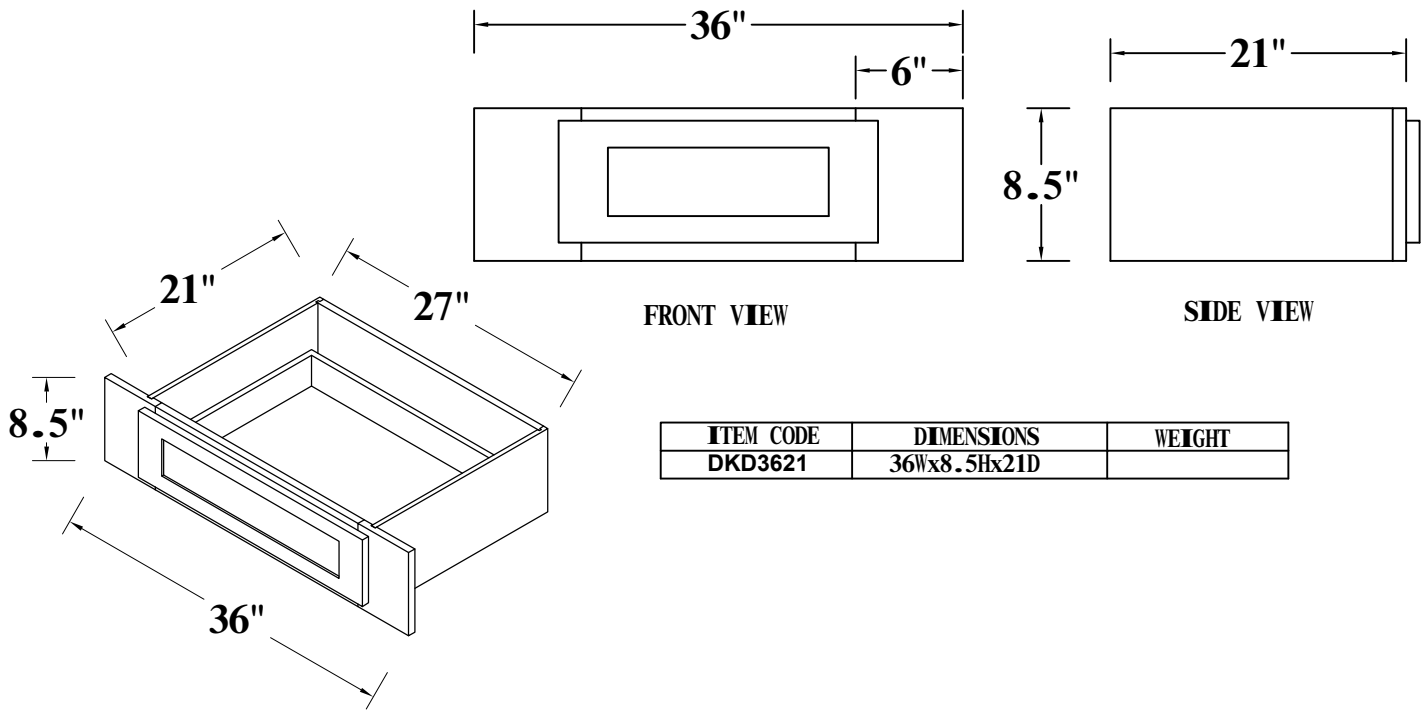
# PLATE RACK WALL CABINET



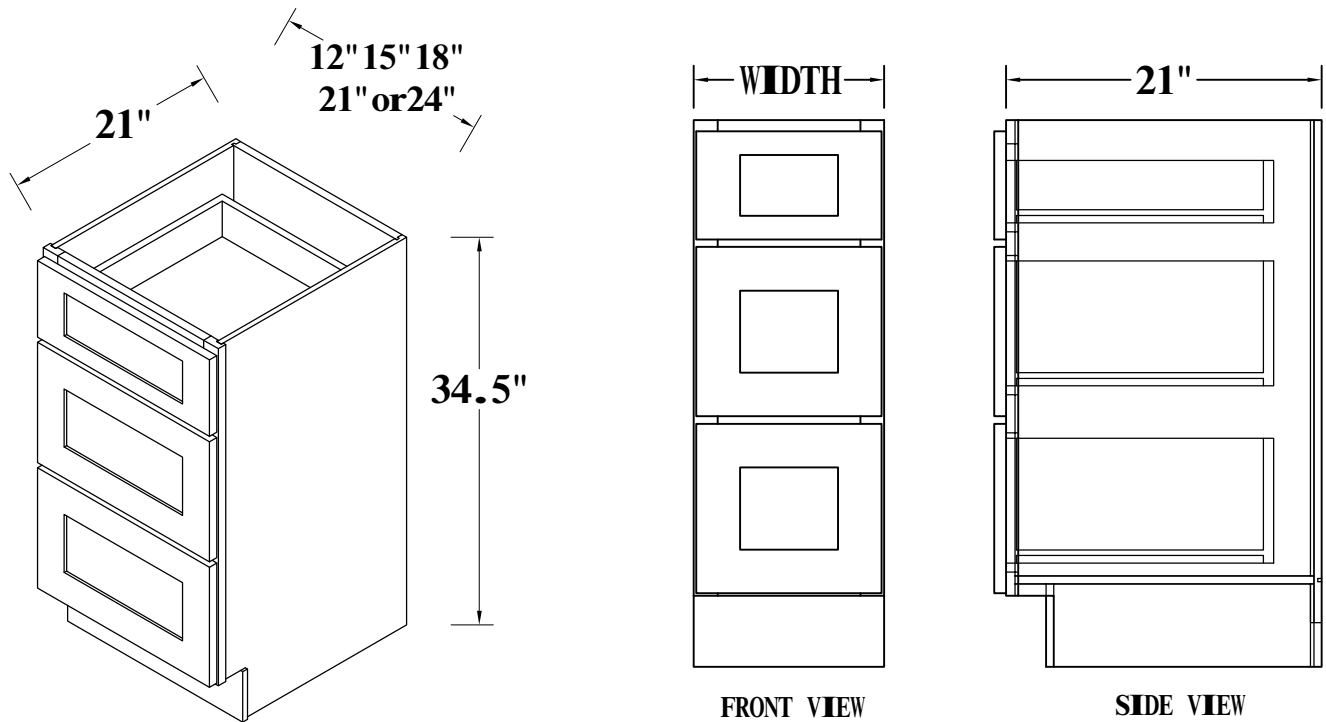
**Features :**  
**10 Plate Slots**  
**Matching Color Finish**

ITEM CODE	DIMENSIONS	WEIGHT
PR3015	30Wx15Hx12D	

# DESK KNEE DRAWER



# VANITY 3 DRAWERS CABINET

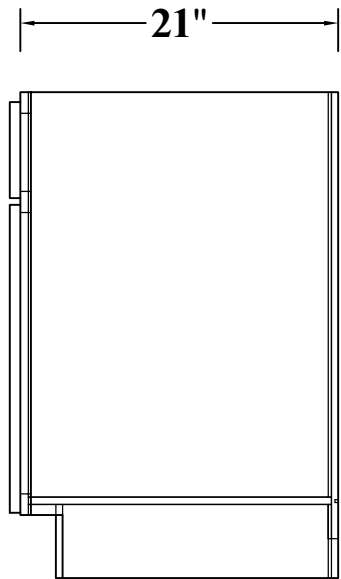
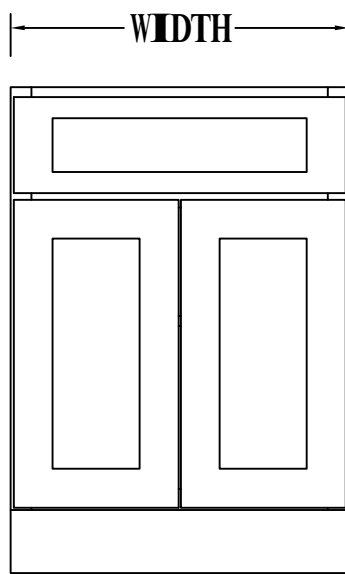
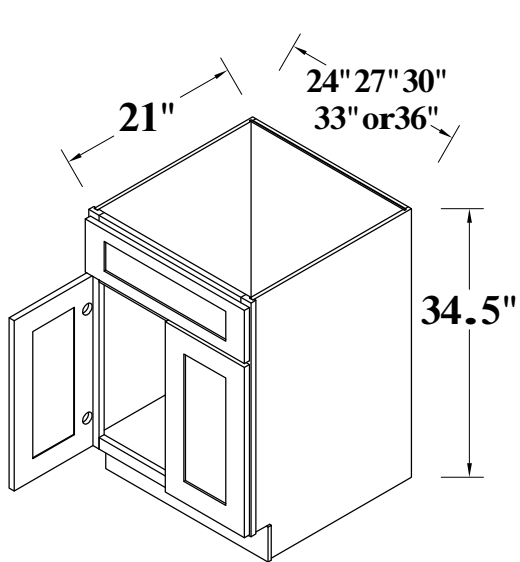


## Features :

- 1 Small Top Drawer
- 2 Large Bottom Drawers

ITEM CODE	DIMENSIONS	WEIGHT
VDB12H	12Wx34-1/2Hx21D	
VDB15H	15Wx34-1/2Hx21D	
VDB18H	18Wx34-1/2Hx21D	
VDB21H	21Wx34-1/2Hx21D	
VDB24H	24Wx34-1/2Hx21D	

# VANITY SINK BASE CABINET



**Features:**

**2 Doors**

**1 Dummy Drawer**

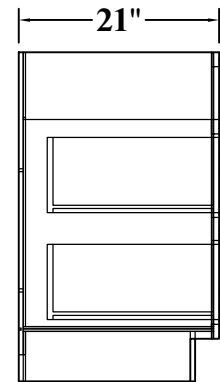
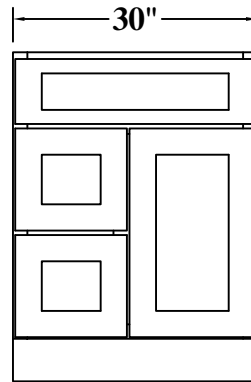
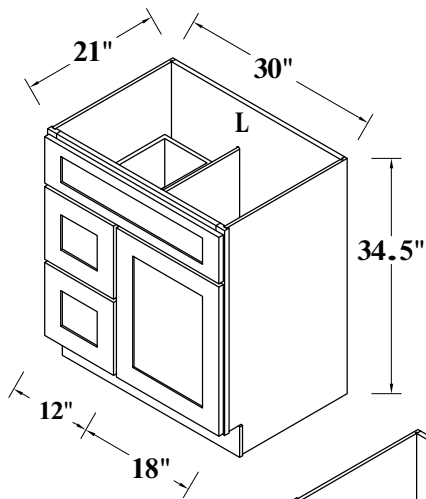
**No Shelf**

FRONT VIEW

SIDE VIEW

ITEM CODE	DIMENSIONS	WEIGHT
V2421H	24Wx34-1/2Hx21D	
V2721H	27Wx34-1/2Hx21D	
V3021H	30Wx34-1/2Hx21D	
V3321H	33Wx34-1/2Hx21D	
V3621H	36Wx34-1/2Hx21D	

# VANITY SINK DRAWER BASE CABINET



FRONT VIEW

SIDE VIEW

ITEM CODE	DIMENSIONS	WEIGHT
VSD3021H-L	30Wx34.5Hx21D	

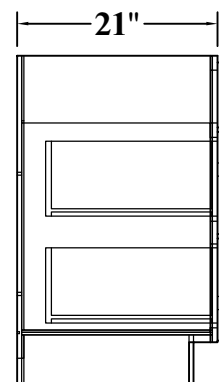
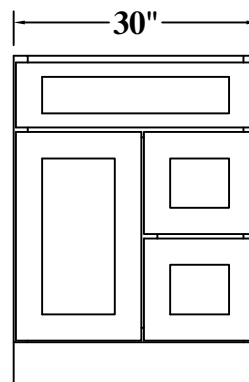
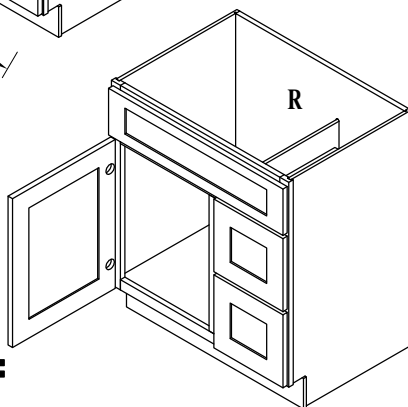
**Features:**

**1 Door**

**1 Dummy Drawer On Top**

**2 Drawers On Side/No Shelf**

**VSD3021H-L Drawers On Left**

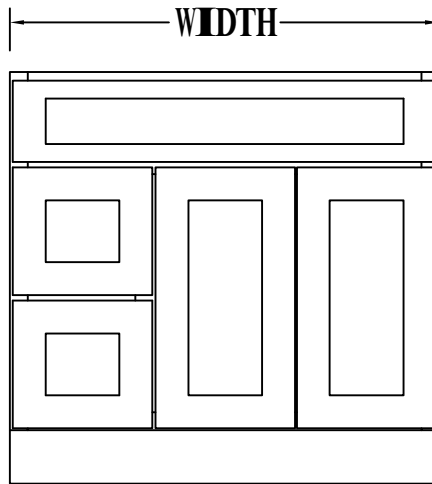
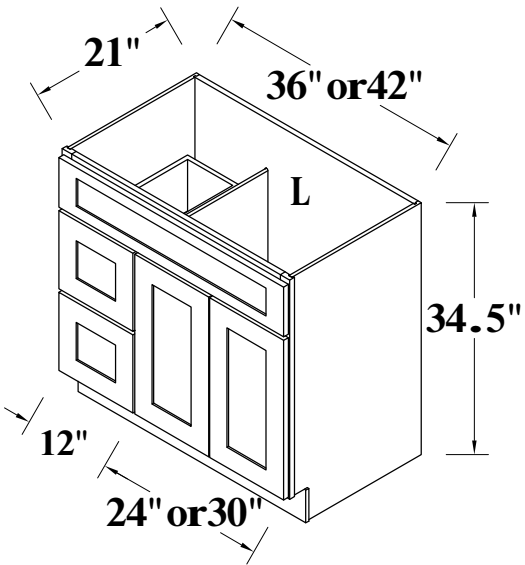


FRONT VIEW

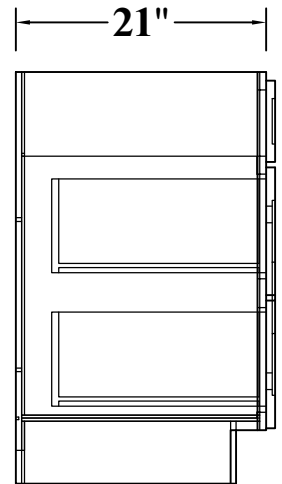
SIDE VIEW

ITEM CODE	DIMENSIONS	WEIGHT
VSD3021H-R	30Wx34.5Hx21D	

# VANITY SINK DRAWER BASE CABINET

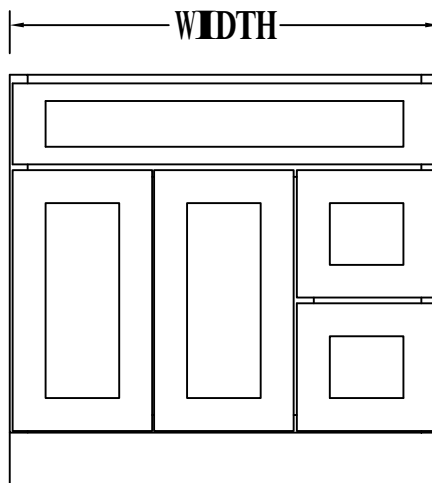
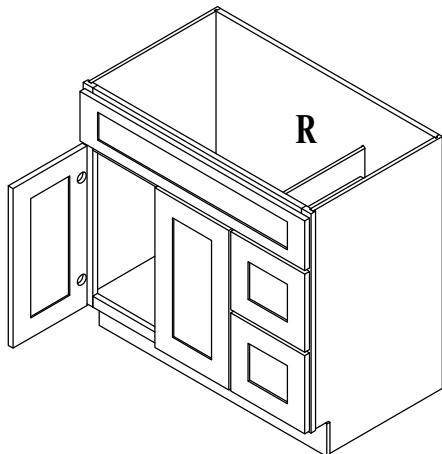


FRONT VIEW

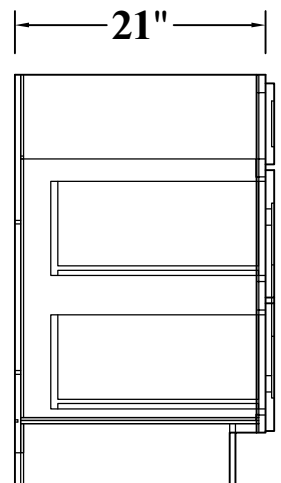


SIDE VIEW

ITEM CODE	DIMENSIONS	WEIGHT
VSD3621H-L	36Wx34.5Hx21D	
VSD4221H-L	42Wx34.5Hx21D	



FRONT VIEW



SIDE VIEW

ITEM CODE	DIMENSIONS	WEIGHT
VSD3621H-R	36Wx34.5Hx21D	
VSD4221H-R	42Wx34.5Hx21D	

## Features :

2 Doors

1 Dummy Drawer On Top

2 Drawers On Side/No Shelf

VSD3621H-L Drawers On Left

**VSD3621H-L**

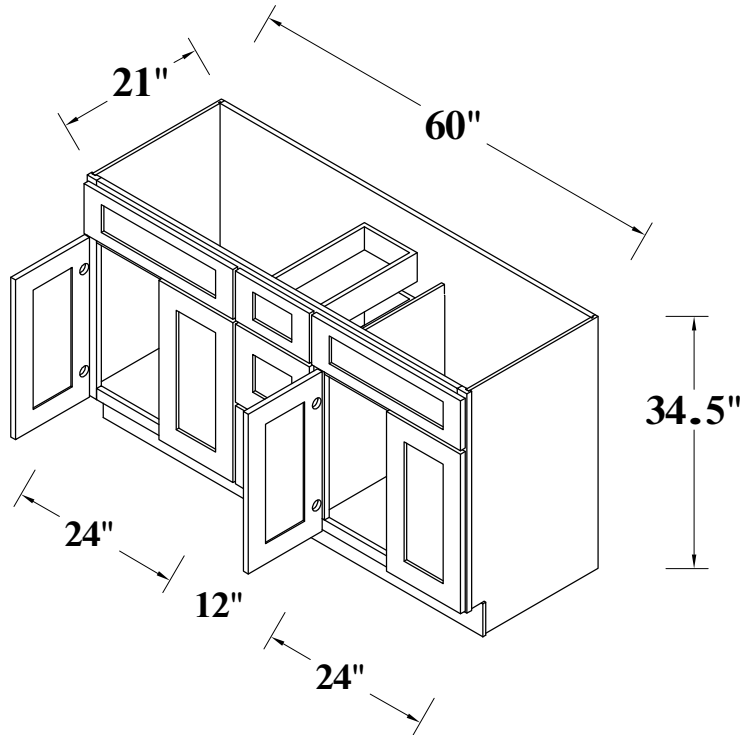
**VSD3621H-R**

**VSD4221H-L**

**VSD4221H-R**

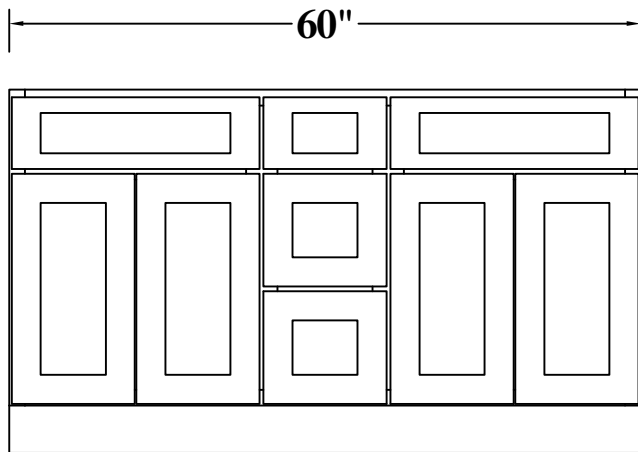


# VANITY SINK DRAWER BASE COMBO

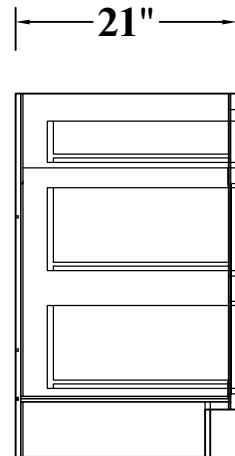


## Features:

- 4 Doors On Bottom Sides**
- 2 Dummy Drawers On Top Sides**
- 3 Drawers In Middle/No Shelf**  
(1 Small Top Drawer/2 Large Bottom Drawers)



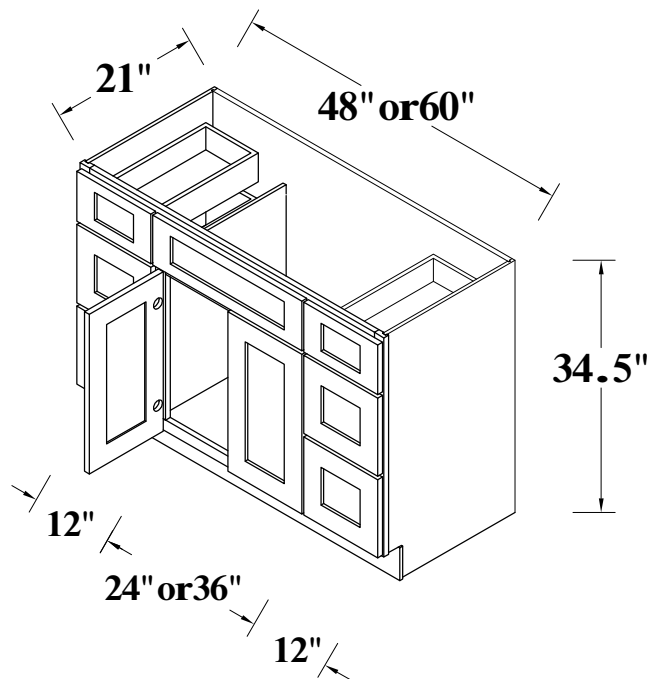
FRONT VIEW



SIDE VIEW

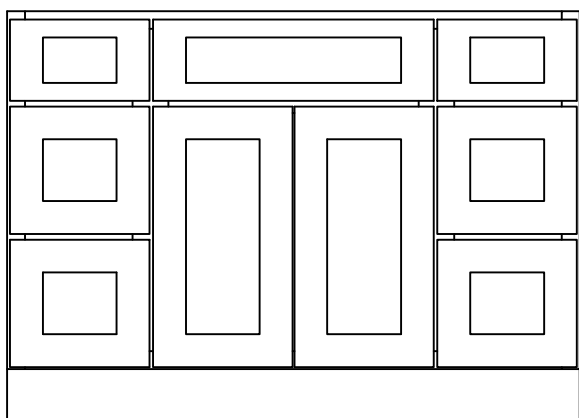
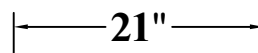
ITEM CODE	DIMENSIONS	WEIGHT
VCD6021H	60Wx34.5Hx21D	

# VANITY SINK DRAWER BASE COMBO

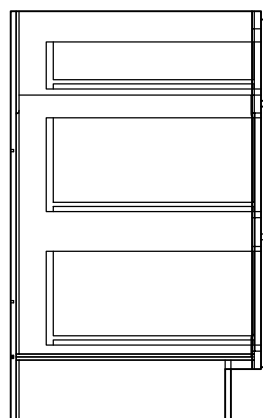


## Features:

- 2 Doors On Bottom**
- 1 Dummy Drawer On Top**
- 6 Drawers On Sides/No Shelf**
- VSD4821H=12"+24"+12"**
- VSD6021H=12"+36"+12"**



**FRONT VIEW**



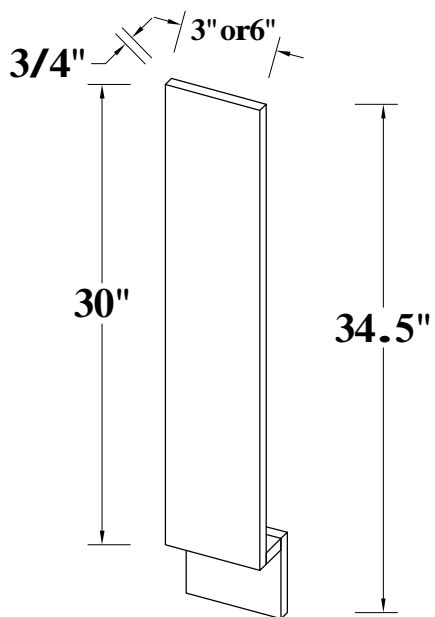
**SIDE VIEW**

ITEM CODE	DIMENSIONS	WEIGHT
VSD4821H	48Wx34.5Hx21D	
VSD6021H	60Wx34.5Hx21D	

## BASE FILLER

BF3

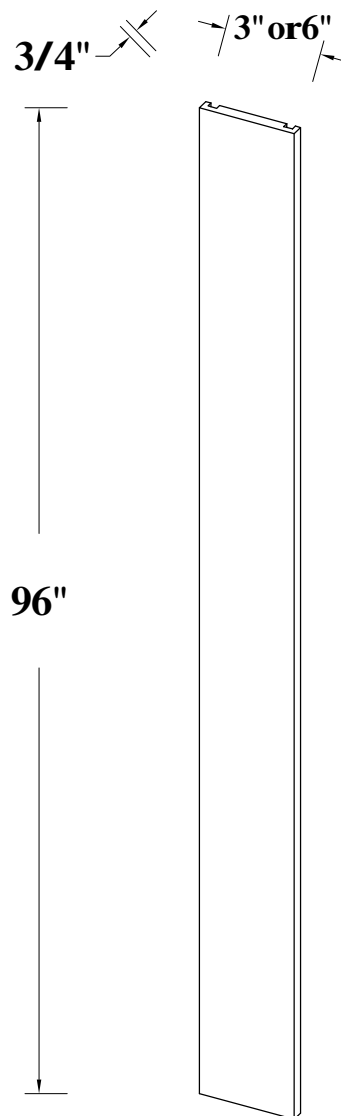
BF6



## TALL FILLER

TF396

TF696



## WALL FILLER

WF330

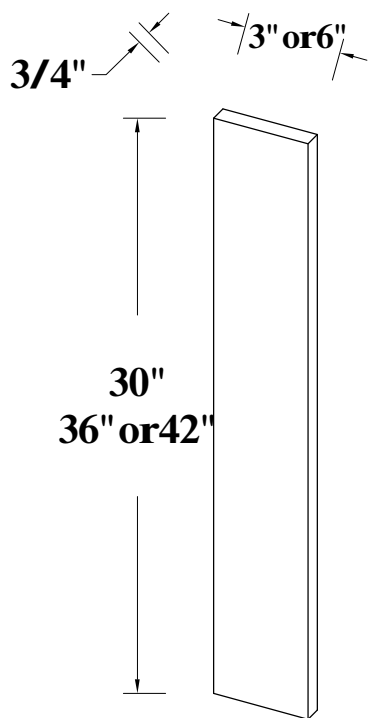
WF336

WF342

WF630

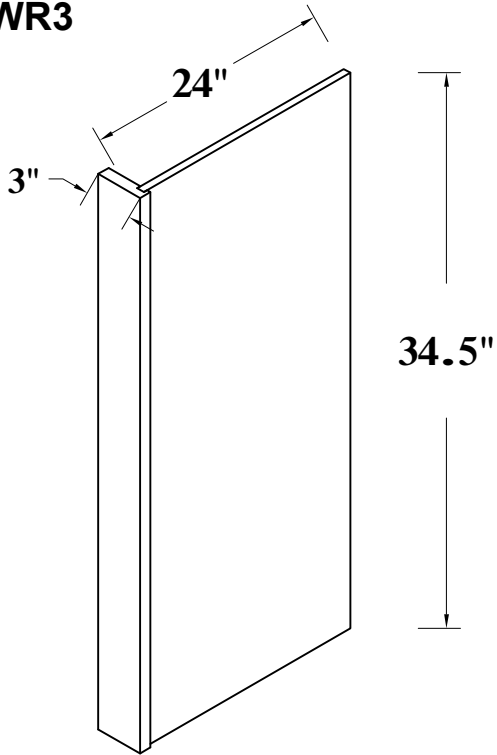
WF636

WF642



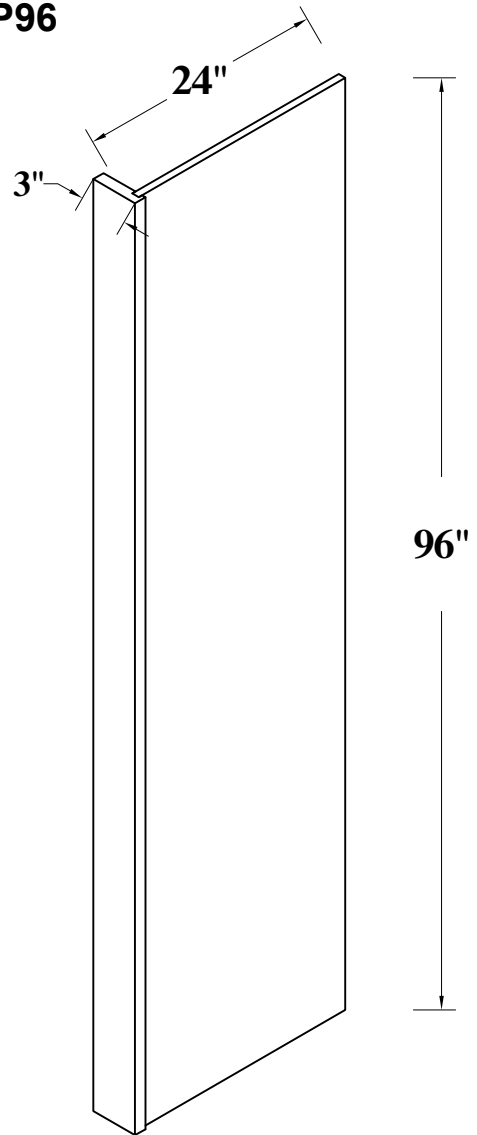
### DISH WASHER PANEL

DWR3



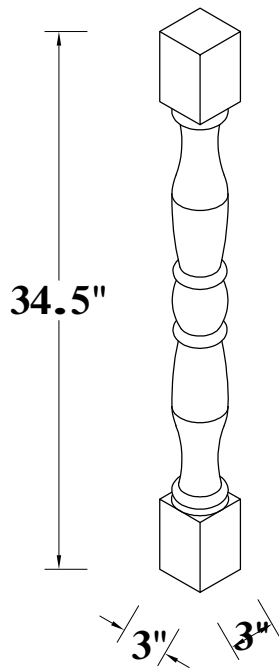
### REFRIGERATOR END PANEL

REP96



### FLUTED POST

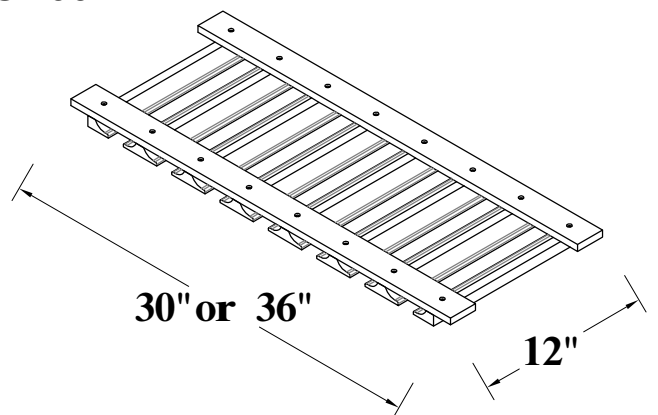
TP34 1/2



### STEM WINE GLASS HOLDER

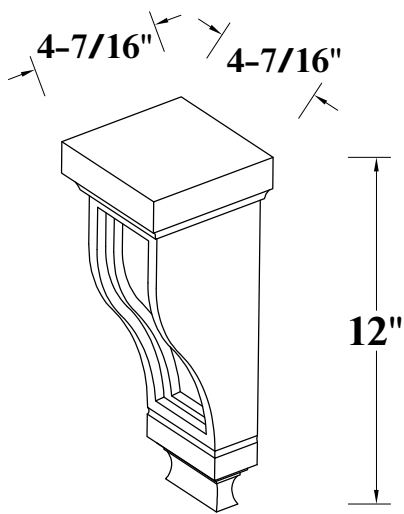
GR30

GR36



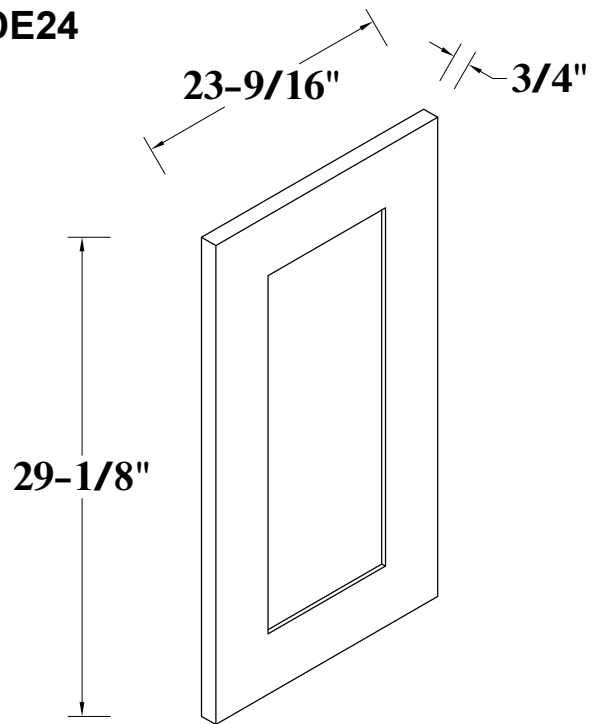
## CORBEL

CORBEL-58



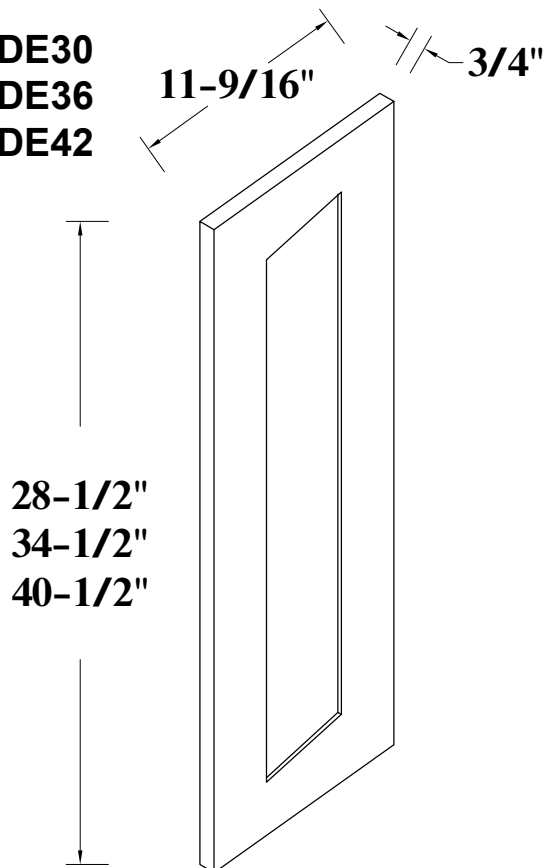
## DECORATIVE BASE END PANEL

BDE24



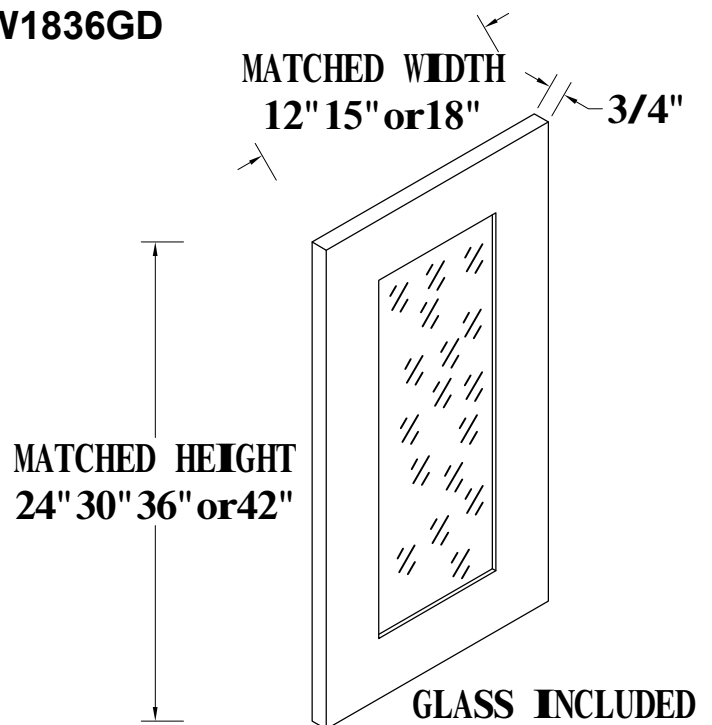
## WALL DECORATIVE DOOR PANEL

WDE30  
WDE36  
WDE42

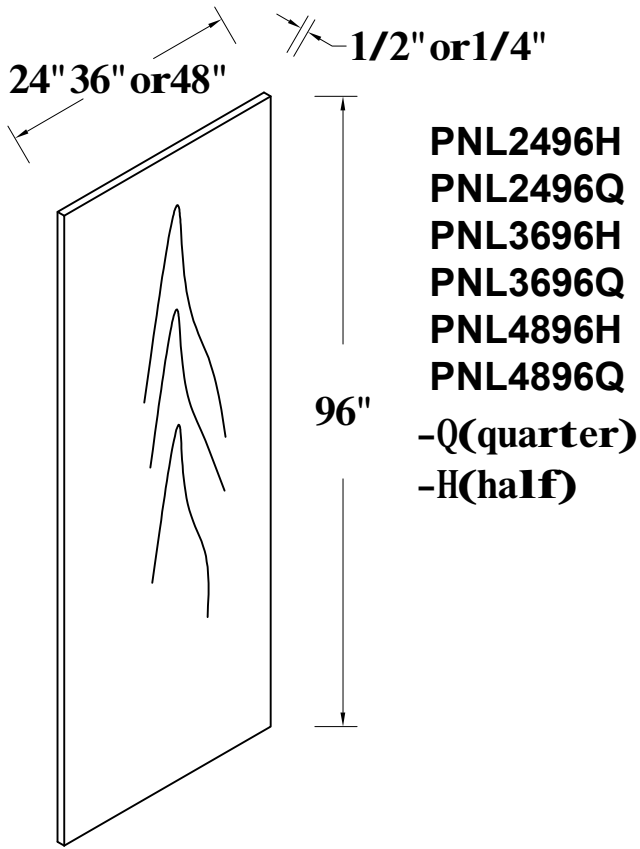


## GLASS DOOR

W3024GD W1242GD  
W1230GD W1542GD  
W1530GD W1842GD  
W1830GD WDC2430GD  
W1236GD WDC2436GD  
W1536GD WDC2442GD  
W1836GD

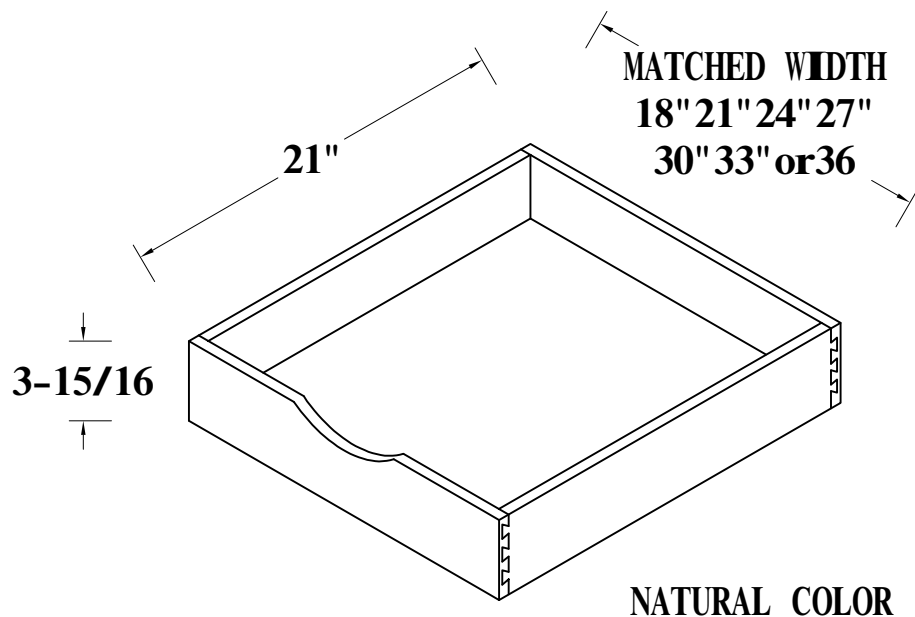


## PLYWOOD FINISHED END PANEL

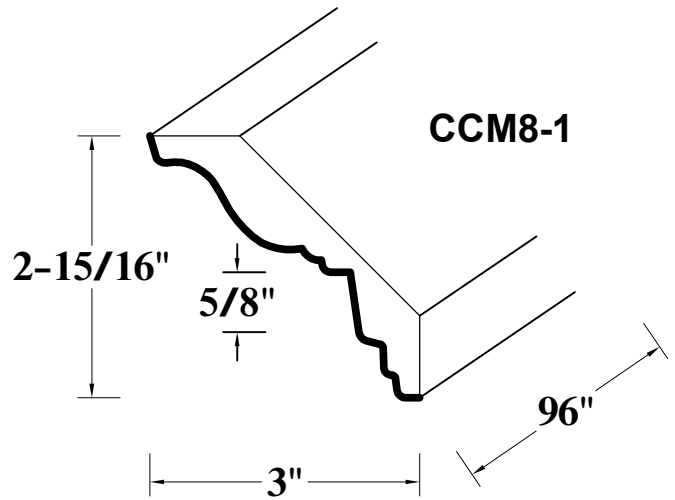
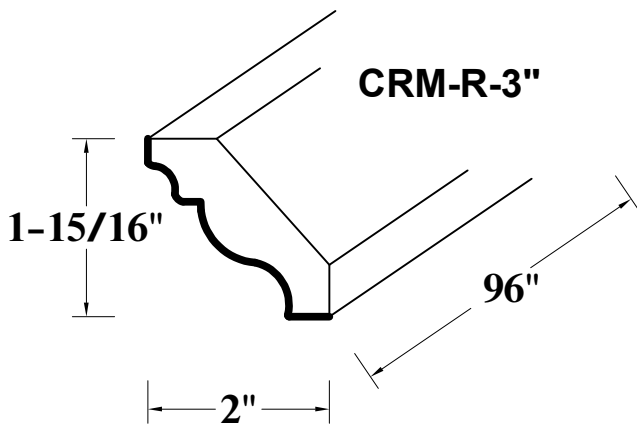
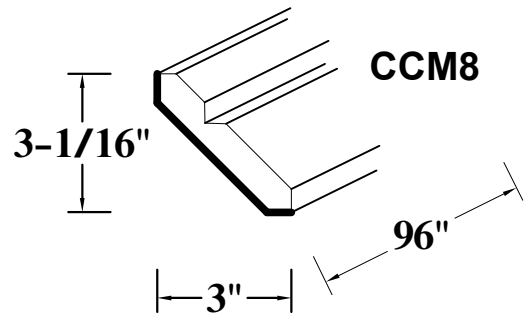
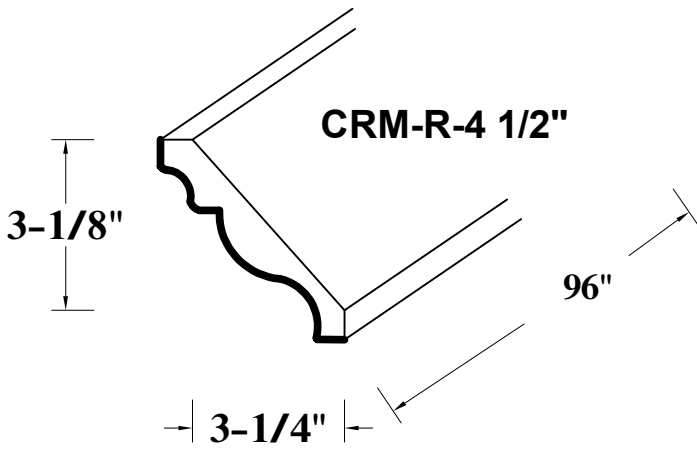


## ROLL OUT DRAWER FOR BASE AND PANTRY

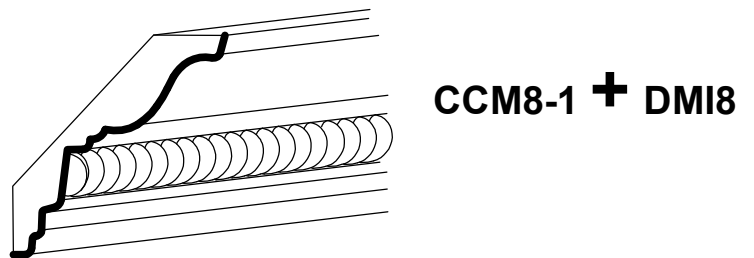
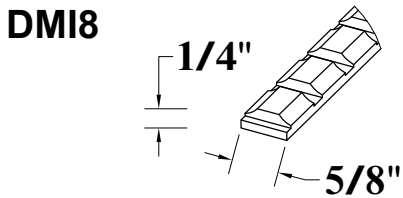
RD18  
RD21  
RD24  
RD27  
RD30  
RD33  
RD36



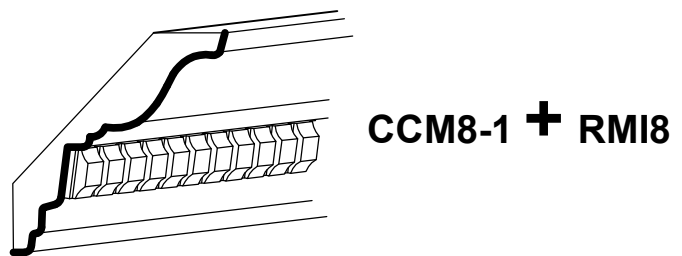
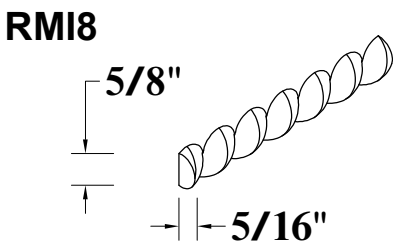
# CROWN MOULDING



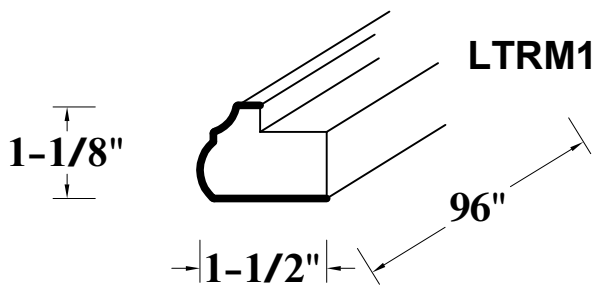
# DENTIL MOULDING



# ROPE MOULDING

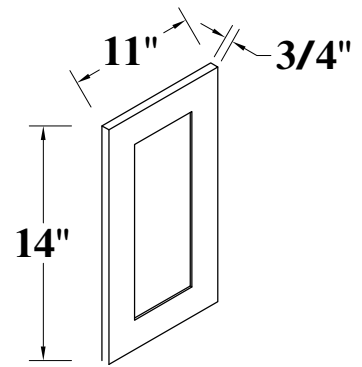


### LIGHT MOULDING

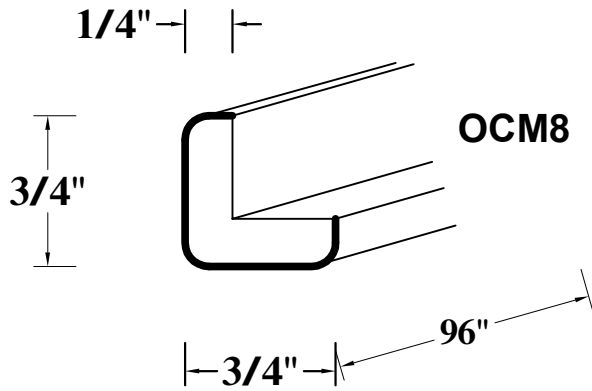


### SAMPLE DOOR

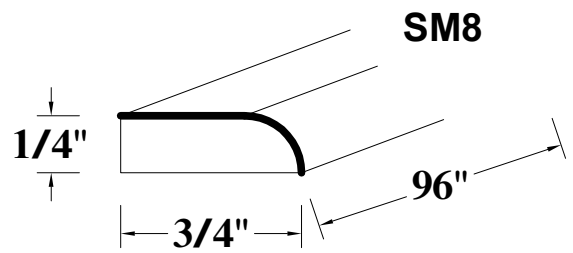
SD11X14



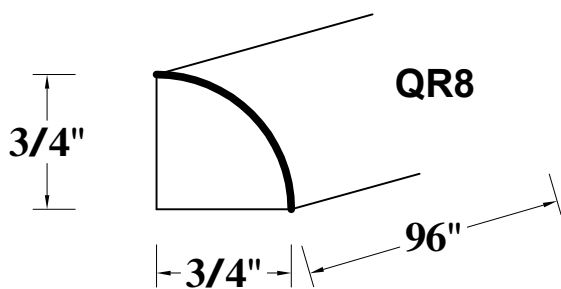
### OUTSIDE CORNER MOULDING



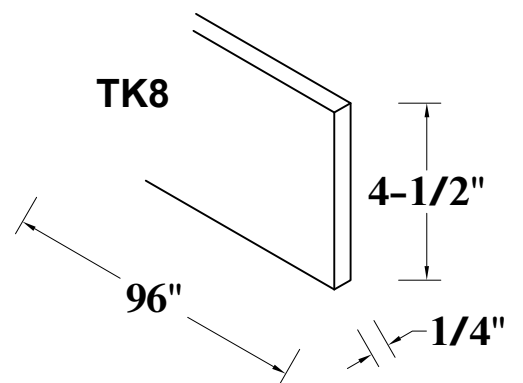
### SCRIBE MOULDING



### QUARTER ROUND MOULDING

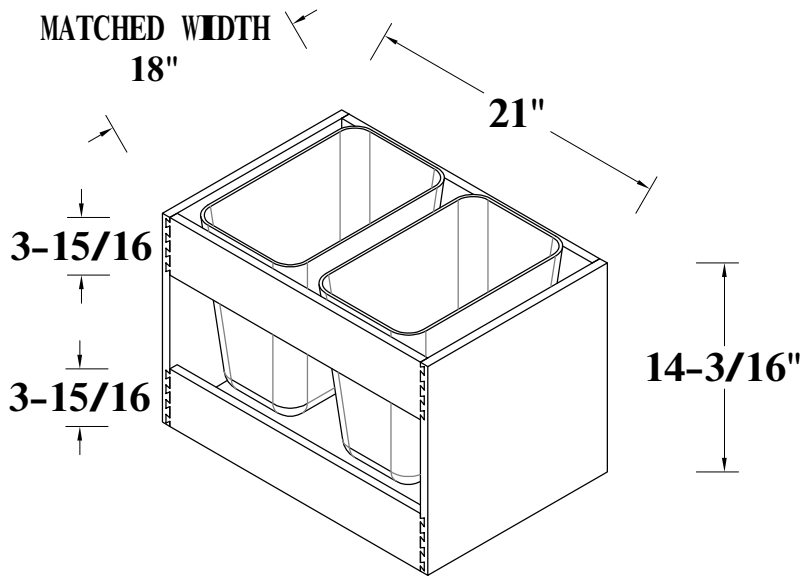


### TOTEMIC BASE BOARD





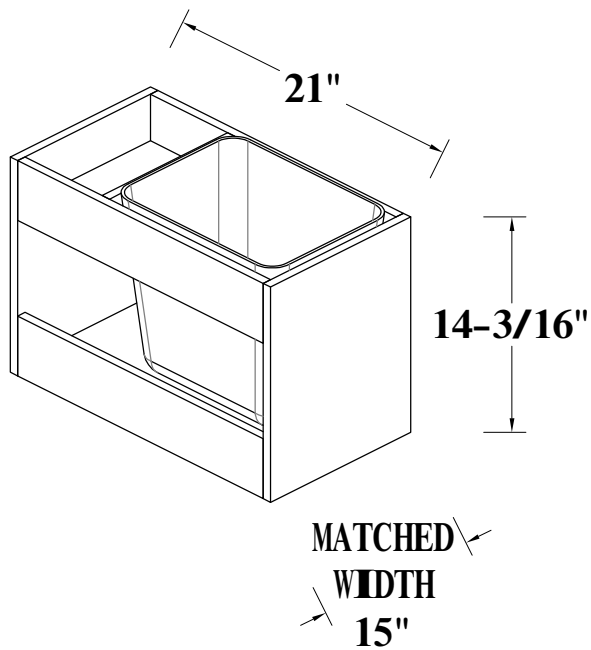
**WASTE BIN 18"W**



**WB18-2**

**NATURAL COLOR  
2 PCS Rubbish Bin**

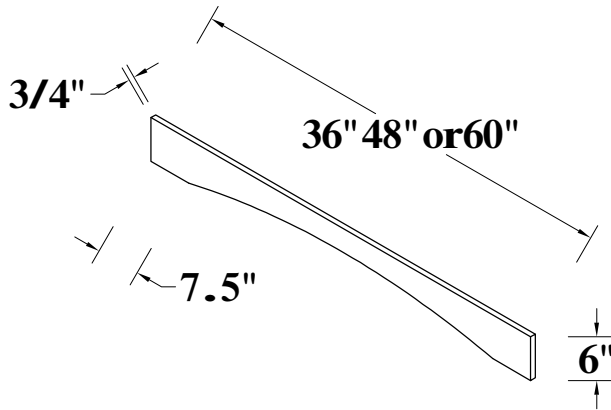
**WASTE BIN 15"W**



**WB15**

**NATURAL COLOR  
1 PC Rubbish Bin**

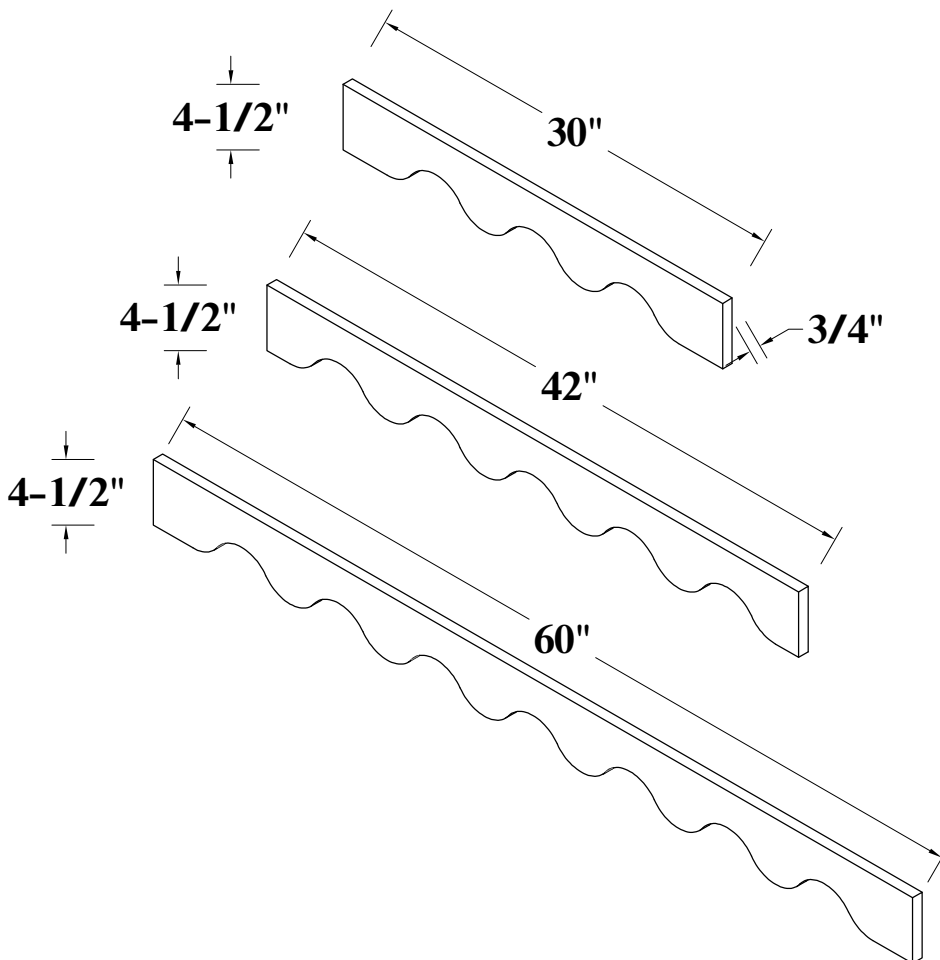
## ARCHED VALANCE



VA36  
VA48  
VA60

---

## SCALLOP VALANCE



SV30

SV42

SV60

